



ESSENCIA®

INSTALLATION INSTRUCTIONS

IMPORTANT INFORMATION FOR THE INSTALLER AND THE OWNER

TABLE OF CONTENT

IMPORTANT SAFETY INSTRUCTIONS 1

PARTS & TOOLS 3

SITE PREPARATION 6

INSTALLATION

- REMOTE MOUNTING OF TURBINE WITH ACCESS UNDER BATH 7
- REMOTE MOUNTING OF TURBINE WITHOUT ACCESS UNDER BATH 22

CUTTING TEMPLATES: ELECTRONIC CONTROLS 34

**IMPORTANT SAFETY INSTRUCTIONS
PERTAINING TO RISKS OF FIRE, ELECTROCUTION OR PERSONAL INJURY**
READ AND FOLLOW ALL INSTRUCTIONS ■ SAVE THESE INSTRUCTIONS

THIS DOCUMENT SUPERCEDES THE INSTALLATION INSTRUCTION IN THE OWNER'S MANUAL.

 **WARNING**

- Risk of hyperthermia; people using medication and/or having an adverse medical history should consult a physician before using a Hydro-thermo massage® bathtub equipped with a heater.
- Risk of hyperthermia and possible drowning: do not use a Hydro-thermo massage® bathtub equipped with heater immediately following strenuous exercise.
- Risk of fetal injury; pregnant or possibly pregnant women should consult a physician before using a Hydro-thermo massage® bathtub equipped with a heater.
- Risk of accidental injury or drowning; do not use drugs or alcohol before or during the use of a Hydro-thermo massage® bathtub equipped with a heater.
- Use this unit only for its intended purposes or as described in this manual. Use only accessories or devices recommended by the manufacturer.
- Risk of hyperthermia and possible drowning. Check and adjust water temperature before use. Water temperature exceeding 100°F (38°C) may be injurious to your health.
- To reduce the risk of injury, as with any other conventional bath, do not allow children or physically impaired people to use this unit unless they are closely supervised at all times.
- To avoid injury, exercise care when entering or exiting the Thermomasseur®.
- The Geysair (option) should always be connected to the hot water intake. If it is not the case, then, the Geysair option should be deactivated via the bath control.


RISK OF ELECTRICAL SHOCK

- Disconnect electric power before servicing.
- Do not permit electrical appliances (hair dryer, lamp, telephone, radio, television, etc.) within 5' (1,5 m) of the Thermomasseur®.
- Before using the Thermomasseur®, its exterior construction (podium or skirting) should be finished so that a bather cannot accidentally come in contact with electrical components (turbine and power module).
- For indoor use only.

IMPORTANT SAFETY INSTRUCTIONS (cont'd)
PERTAINING TO RISKS OF FIRE, ELECTROCUTION OR PERSONAL INJURY**READ AND FOLLOW ALL INSTRUCTIONS ▪ SAVE THESE INSTRUCTIONS**

THIS DOCUMENT SUPERCEDES THE INSTALLATION INSTRUCTION IN THE OWNER'S MANUAL.

ELECTRICAL CONNECTIONS:

- Never drop or insert objects into any openings.
- The Thermomasseur® must be connected only to a supply circuit that is protected by a 15 amp class A ground fault circuit interrupter (GFCI) for baths with 1 heated backrest and a 20 amp (GFCI) for baths with Geysair or for baths with 2 heated backrests. This interrupter is supplied by a certified electrician and must be tested on a regular basis in accordance with manufacturer's instructions. The GFCI ground must be connected. If defective, do not use the Thermomasseur®. Disconnect immediately and call a certified electrician.
- Use 12 AWG (or greater) copper conductors that resist temperatures of at least 194°F (90°C).
- **Canada only:** for permanently connected units. A green-colored terminal (or a wire connector marked g., gr., ground or grounding) is provided within the terminal compartment (not applicable if unit supplied with an electric plug). To reduce the risk of electrocution, connect this terminal or connector to the grounding terminal of your electric service or supply panel with conductor equivalent in size to the circuit conductors supplying the equipment and be 12 AWG or more.
- All electrical connections must be carried out by a certified electrician and must respect federal, provincial/state, and local building codes and regulations.
- Install in accordance with manufacturer's installation instructions.
- For Geysair-equipped baths using remote turbine installation (not mounted on the bath), grounding continuity must be tested between the bath grounding terminal  and the bath power supply. Failure to perform the grounding continuity test could result in serious personal injury.

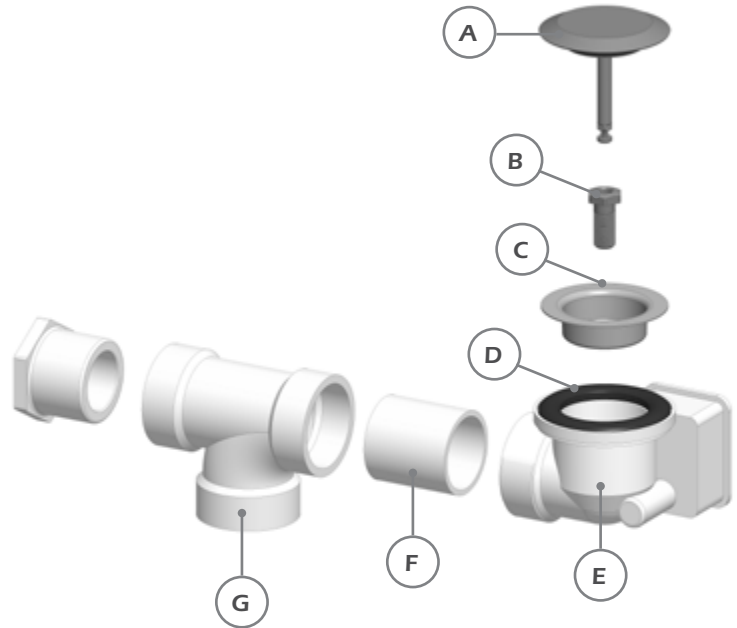
WATER LEAK TEST

- Once plumbing is fully installed and before beginning any other work, fill the ThermoMasseur® with water to overflow level and wait 30 minutes. Check all plumbing hook-ups and bath for leaks. BainUltra® is not responsible for any water damage caused by improper installation (see Warranty section).

PARTS & TOOLS REQUIRED

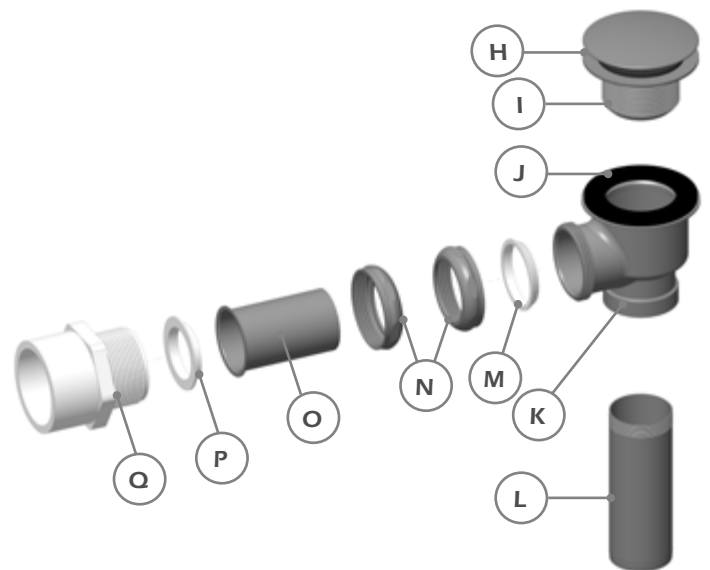
STANDARD PARTS - PLUMBING
ESSENCIA 6838 & OVAL 7236

	DESCRIPTION	QTY
A	Plated drain clicker	1
B	Locking nut	1
C	Strainer	1
D	Rubber seal	1
E	PVC Wired drain shoe	1
F	PVC Piping 1-1/2" X 2"	1
G	PVC Tee Connector 1-1/2" F-F	1



PLUMBING
STANDARD PARTS - ESSENCIA DESIGN
OPTIONAL PARTS - ESSENCIA 6838⁽¹⁾

	DESCRIPTION	QTY
H	Plated drain clicker	1
I	Strainer	1
J	Rubber seal	1
K	Brass drain shoe	1
L	4 in. brass tailpiece	1
M	Nylon conic shaped seal for drain	1
N	Brass nut	2
O	Brass pipe 1-1/2" x 3" with flange	1
P	Nylon flat seal with flange	1
Q	1-1/2" male threaded adaptor	1



(1): INTEGRATED WASTE & OVERFLOW OPTION

PARTS & TOOLS REQUIRED

OPTIONAL PARTS – PLUMBING ⁽²⁾

ISLAND TUB DRAIN® (ITD) KIT

- Makes installation and servicing easier for removal of bath.
- Allows you to connect the bath drain tailpiece to the plumbing pipe without need for tightening to seal once the bath is lowered to the floor.

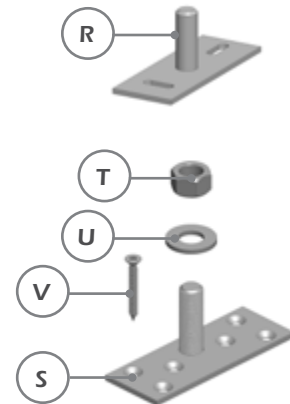
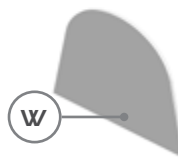
(2): REQUIRED WHEN NO ACCESS IS POSSIBLE UNDER the BATH.

Available only with ESSENCIA DESIGN & 6838 with integrated waste & Overflow.



STANDARDS PARTS – FLOOR ANCHOR

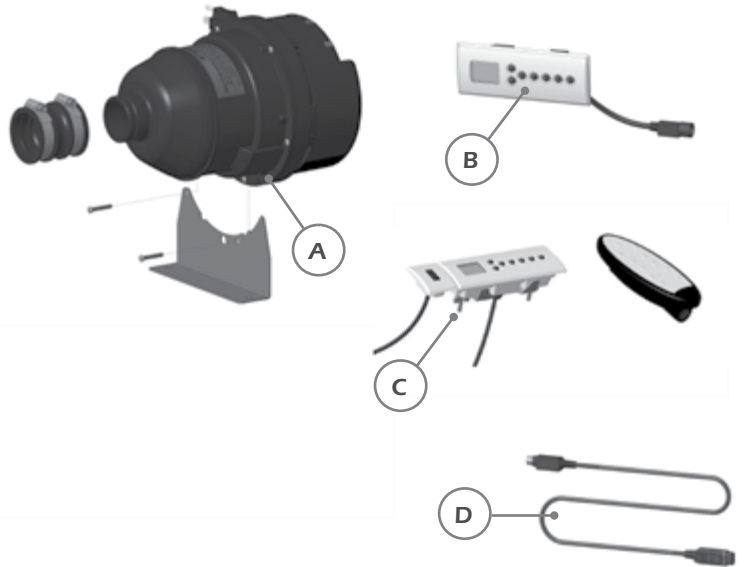
	DESCRIPTION	QTY
R	Floor anchor	2
S	Threaded anchor (Oval 7236 & Design)	2
T	1/2" Nut – 13 zinc (Oval 7236 & Design)	2
U	1/2" Flat washer (Oval 7236 & Design)	2
V	#10 X 1-1/2" Countersunk head screw (Oval 7236 & Design)	12
W	Seals (Oval 7236 & Design)	2



PARTS & TOOLS REQUIRED

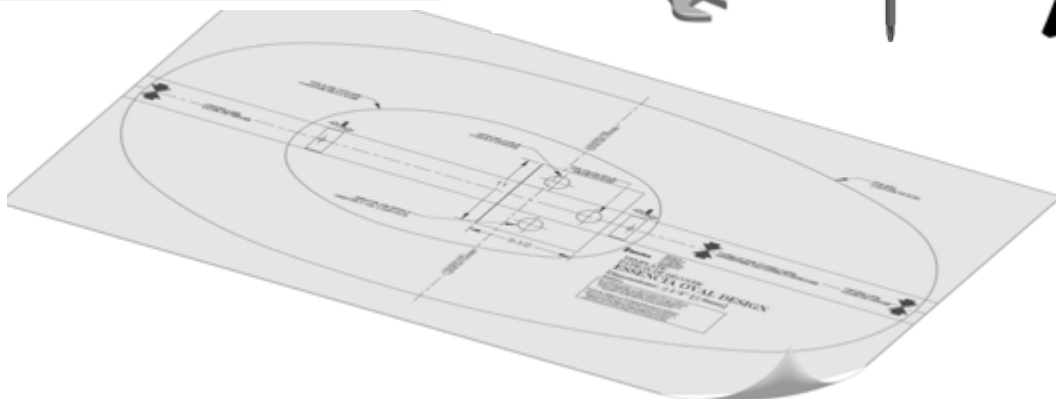
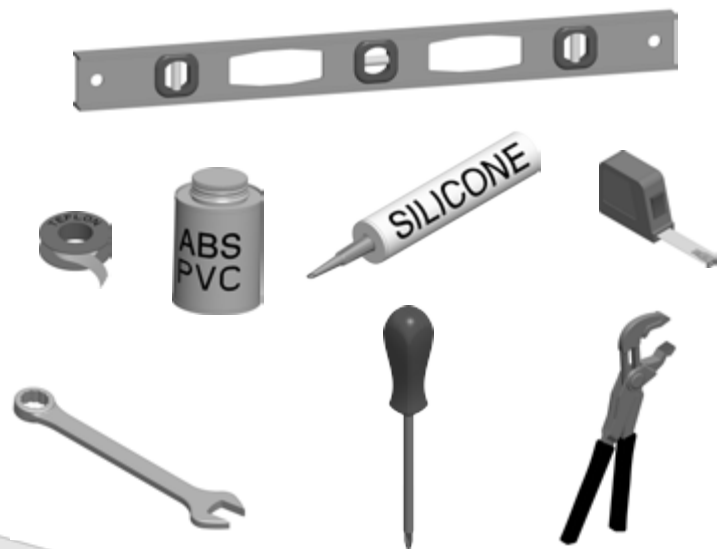
STANDARDS PARTS – THERMOMASSEUR®

	DESCRIPTION	QTY
A	Turbine	1
B	MiaPlus® Control(Essencia Design)	1
C	Contrôle MiaMulti® (Essencia 6838 & Oval 7236)	1
D	15' extension cord	1



PARTS & TOOLS REQUIRED

Installation template
48-inch level
Measuring tape
Teflon tape
Caulking gun
Silicone
ABS & PVC Glue
Square/Phillips #2 Screwdriver
3/4" Ratchet
Adjustable clamps

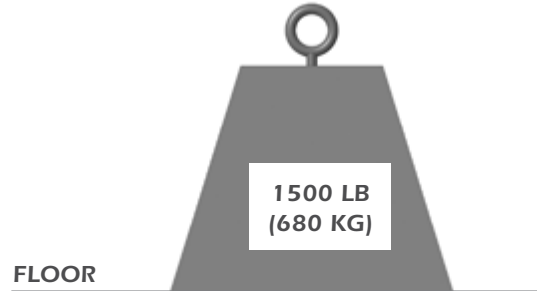


SITE PREPARATION**PLUMBING**

- See faucet manufacturer's specifications for zoning and plan water supply location accordingly.
- Position drain according to bath's technical specifications.

! WARNING

- Baths from Essencia® collection cannot be drilled for faucet installation. Faucets must be freestanding or wall-mounted models.

**BEDDING**

- Before installing, ensure that the floor underneath the bath can support 1500 lb (680 kg). The bath may sit directly on the floor.
The bathtub can also sit on a concrete bed. In that case, it is recommended to isolate the concrete between two plastic sheets: one installed on the floor and the other under the bath.

SERVICE ACCESS AND VENTILATION

- A service access is necessary. Minimum dimensions are 22 in. x 18 in. (55 cm x 46 cm) to properly reach all electrical components of the system.
- An air vent is necessary. Minimum dimensions are: 2 in. x 4 in. (5 cm x 10 cm) to ensure proper functioning of the turbine.

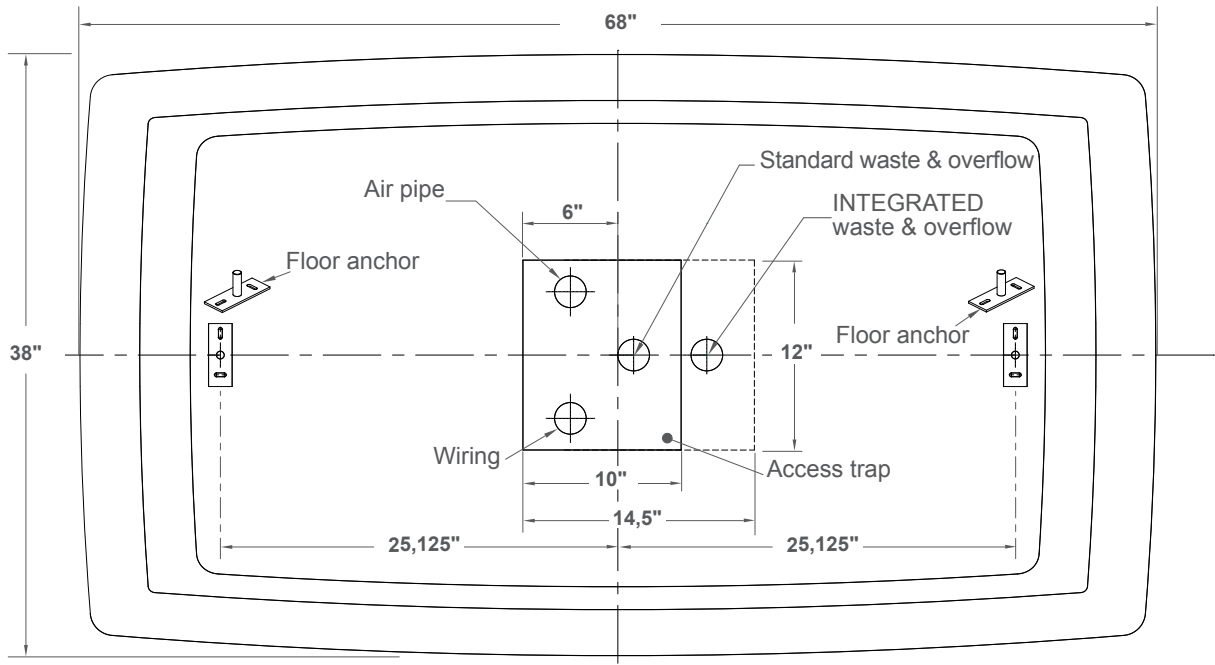
There is a technical specification sheet for each BainUltra® ThermoMasseur® which includes information such as necessary dimensions of site before installation.

If you do not already have the technical specifications, download from the BainUltra® Web site at: bainultra.com or call us at: **1 800 463-2187**.

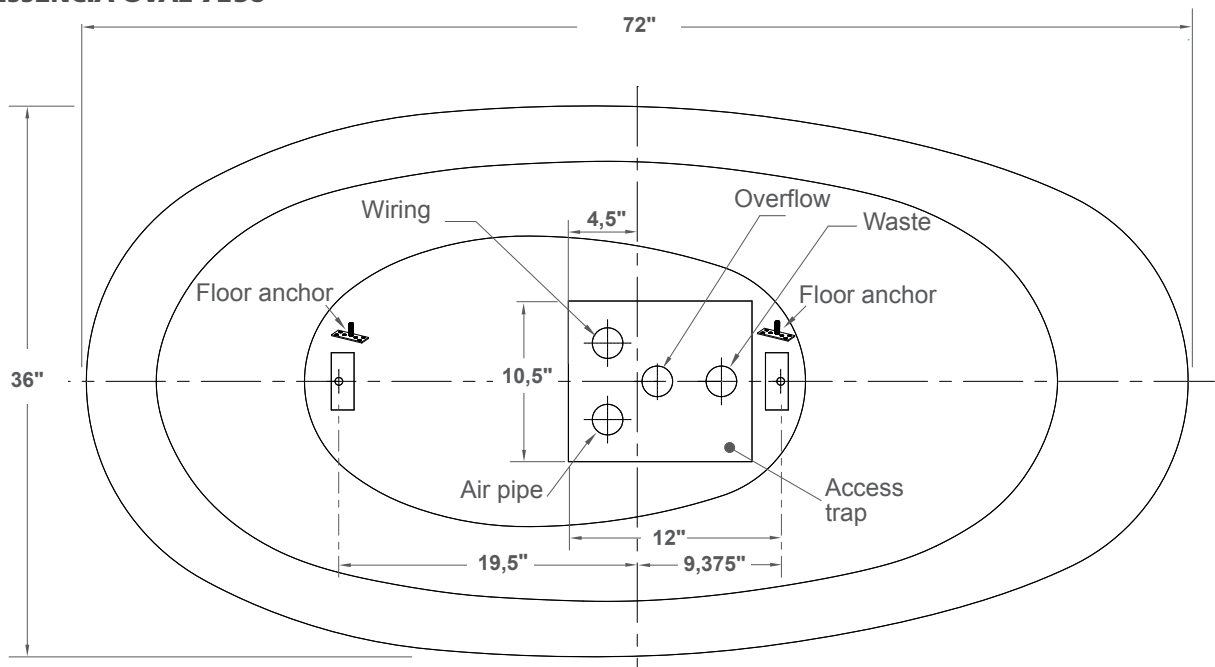
REMOTE MOUNTING OF TURBINE WITH ACCESS UNDER BATH

PLUMBING - FLOOR LAYOUT FOR PIPES AND ACCESS

ESSENCIA 6838



ESSENCIA OVAL 7236

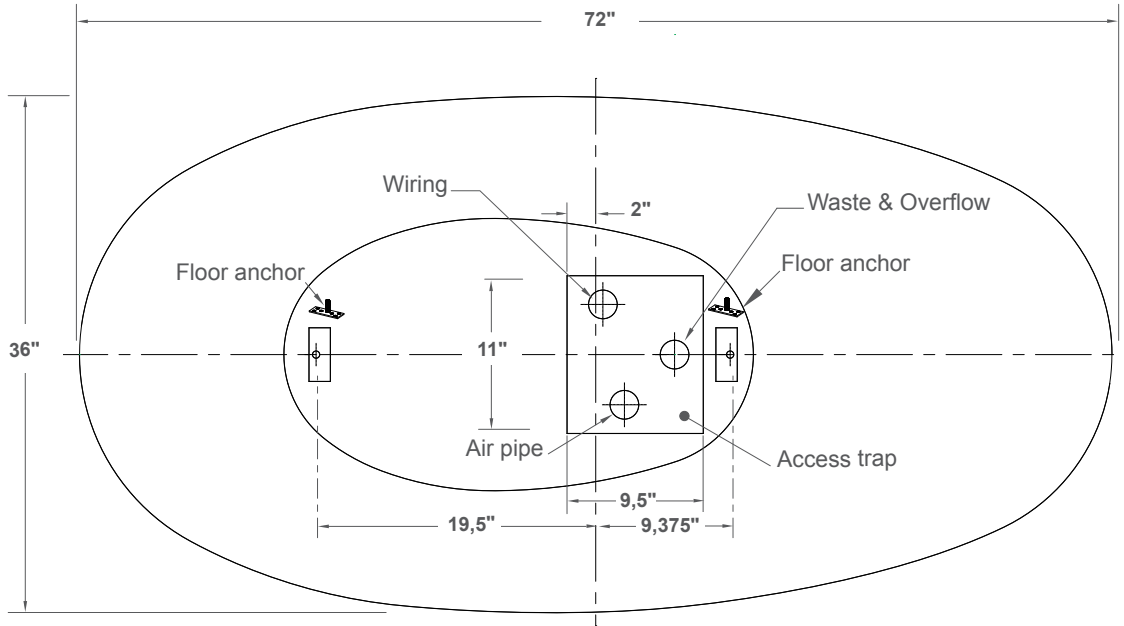


NOTE: Please refer to the **Installation Template** provided with your **ESSENCIA bath**. However, if it is missing, please contact us at **1-800-463-2187** to order it.

REMOTE MOUNTING OF TURBINE WITH ACCESS UNDER BATH

PLUMBING - FLOOR LAYOUT FOR PIPES AND ACCESS (cont'd)

ESSENCIA DESIGN



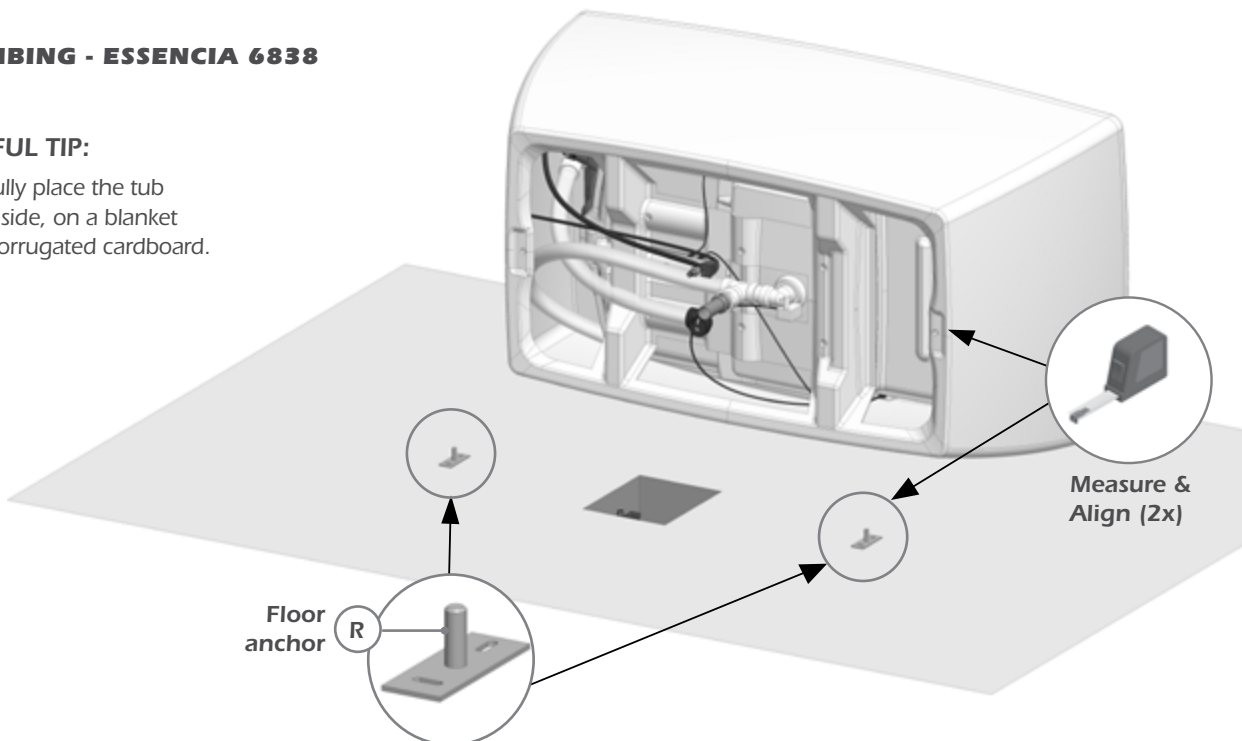
NOTE: Please refer to the **Installation Template** provided with your **ESSENCIA bath**. However, if it is missing, please contact us at **1-800-463-2187** to order it.

1 PLUMBING - ESSENCIA 6838



HELPFUL TIP:

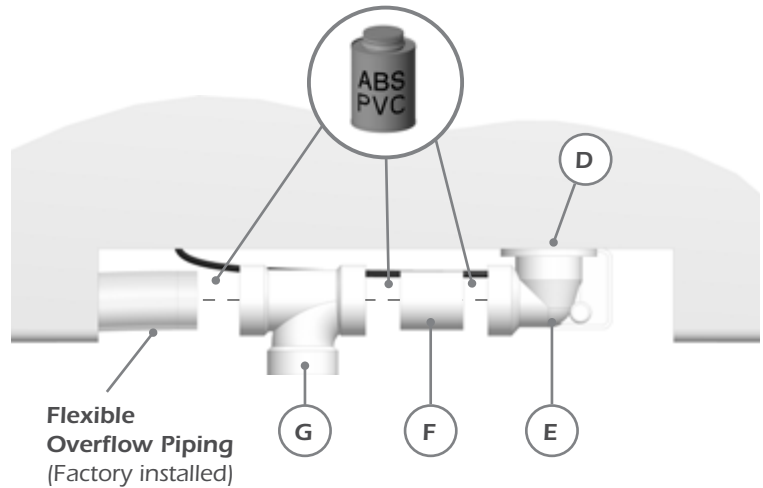
- Carefully place the tub on its side, on a blanket or a corrugated cardboard.



REMOTE MOUNTING OF TURBINE WITH ACCESS UNDER BATH

**STANDARD PARTS - PLUMBING
ESSENCIA 6838**

	DESCRIPTION	QTY
A	Plated drain clicker	1
B	Locking nut	1
C	Strainer	1
D	Rubber seal	1
E	PVC Wired drain shoe	1
F	PVC Piping 1-1/2" X 2"	1
G	PVC Tee Connector 1-1/2" F-F	1

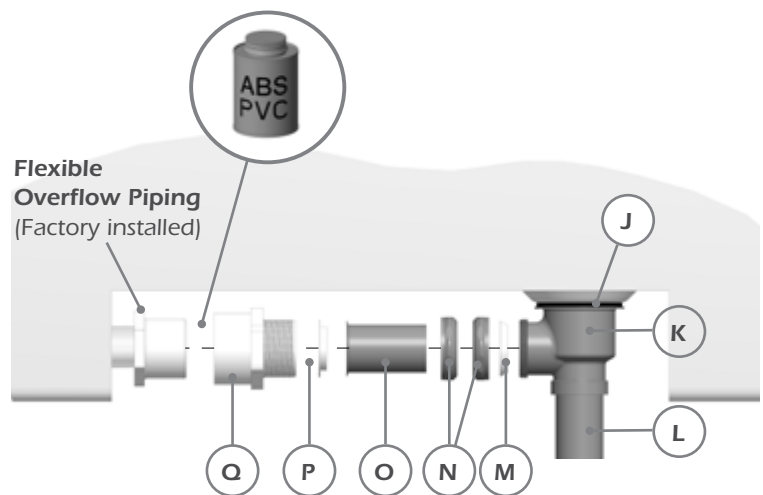


! WARNING

- If necessary adjust length of the flexible overflow piping connected to the overflow.

**OPTIONNAL PARTS - PLUMBING⁽¹⁾
ESSENCIA 6838**

	DESCRIPTION	QTY
H	Plated drain clicker	1
I	Strainer	1
J	Rubber seal	1
K	Brass drain shoe	1
L	4 in. brass tailpiece	1
M	Nylon conic shaped seal for drain	1
N	Brass nut	2
O	Brass pipe 1-1/2" x 3" with flange	1
P	Nylon flat seal with flange	1
Q	1-1/2" male threaded adaptor	1



(1): INTEGRATED WASTE & OVERFLOW OPTION

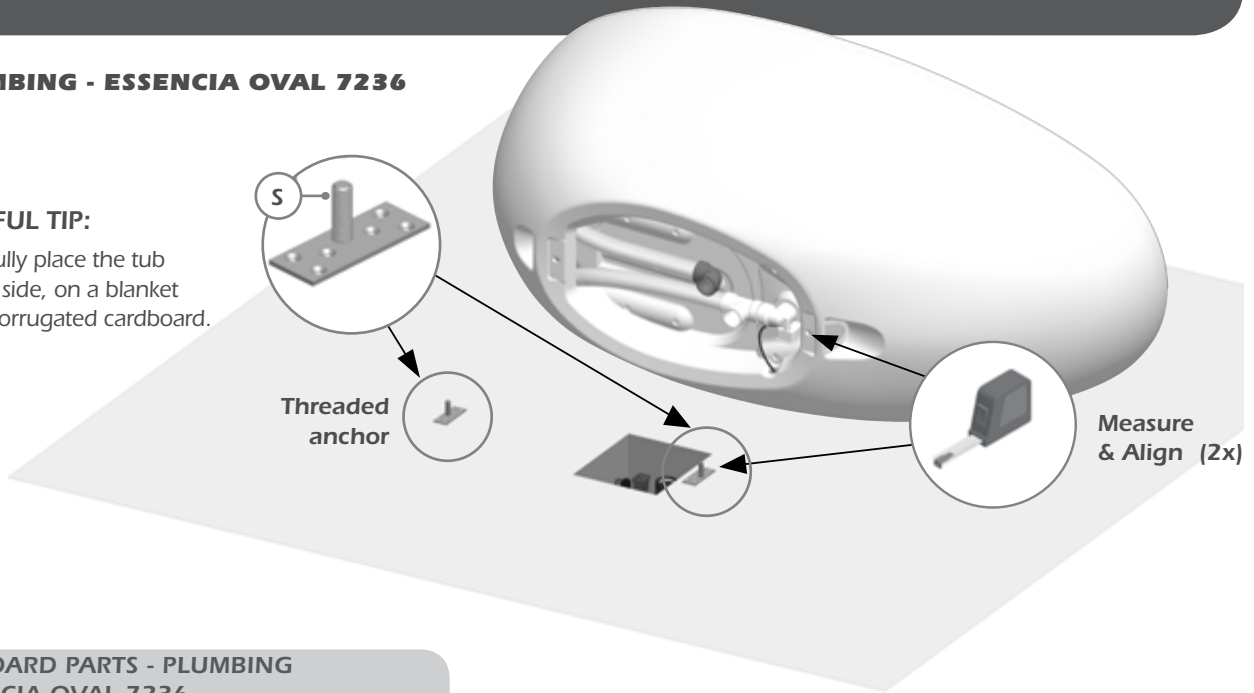
REMOTE MOUNTING OF TURBINE WITH ACCESS UNDER BATH

1 PLUMBING - ESSENCIA OVAL 7236



HELPFUL TIP:

- Carefully place the tub on its side, on a blanket or a corrugated cardboard.

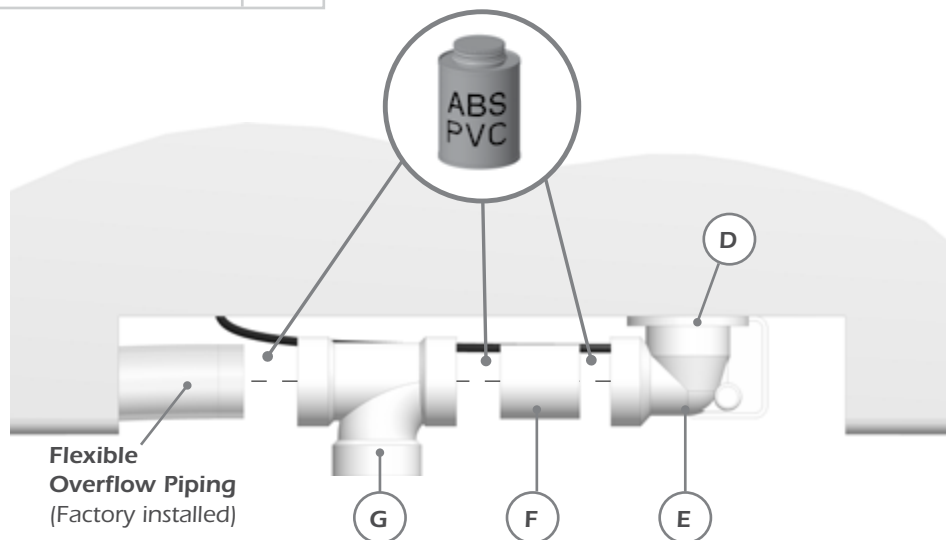


**STANDARD PARTS - PLUMBING
ESSENCIA OVAL 7236**

	DESCRIPTION	QTY
A	Plated drain clicker (p. 3)	1
B	Locking nut (p. 3)	1
C	Strainer (p. 3)	1
D	Rubber seal	1
E	PVC Wired drain shoe	1
F	PVC Piping 1-1/2" X 2"	1
G	PVC Tee Connector 1-1/2" F-F	1

! WARNING

- If necessary adjust length of the flexible overflow piping connected to the overflow.
- Adjust length on the straight part of the brass overflow pipe «F» to fit with the drain position that varies with different bath models.
- Fix anchors «S» to floor with the provided screws «V» (p. 4).



REMOTE MOUNTING OF TURBINE WITH ACCESS UNDER BATH

1 PLUMBING - ESSENCIA DESIGN



HELPFUL TIP:

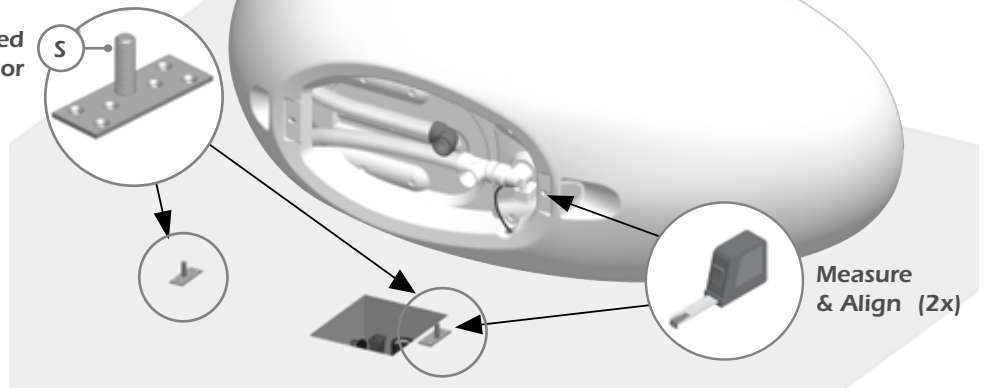
- Carefully place the tub on its side, on a blanket or a corrugated cardboard.



WARNING

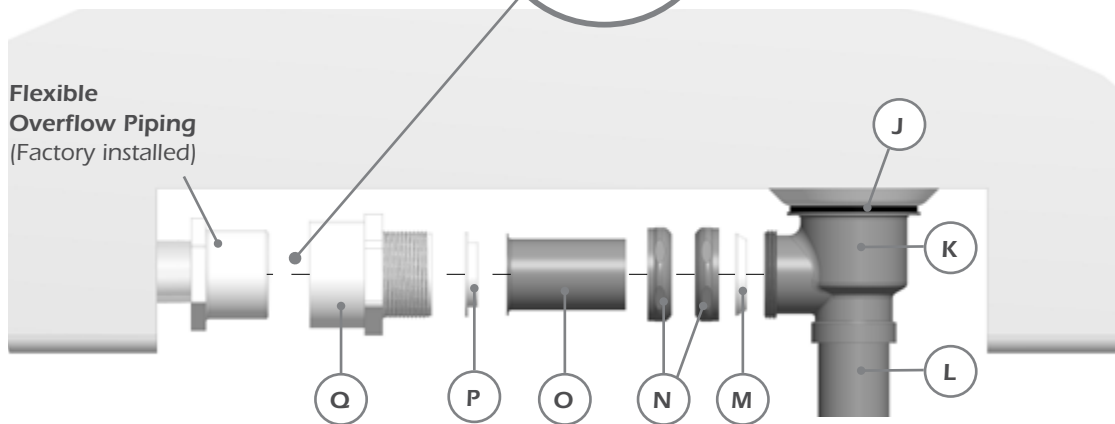
- Fix anchors «S» to floor with the provided screws «V» (p. 4).

Threaded anchor



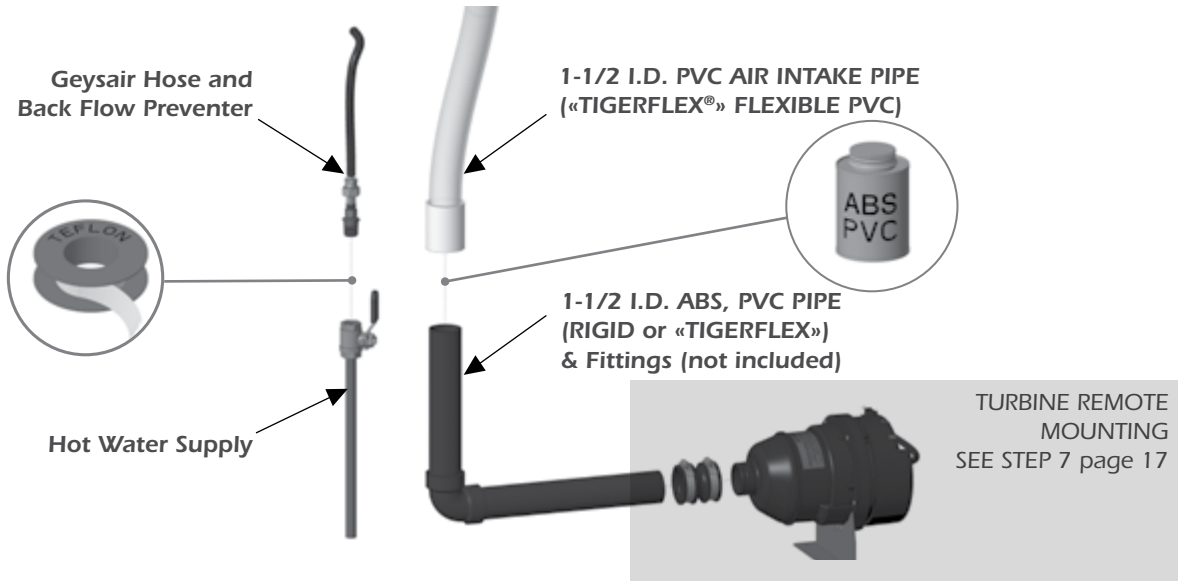
STANDARD PARTS - PLUMBING ESSENCIA DESIGN

	DESCRIPTION	QTY
H	Plated drain clicker (p. 3)	1
I	Strainer (p. 3)	1
J	Rubber seal	1
K	Brass drain shoe	1
L	4 in. brass tailpiece	1
M	Nylon conic shaped seal for drain	1
N	Brass nut	2
O	Brass pipe 1-1/2" x 3" with flange	1
P	Nylon flat seal with flange	1
Q	1-1/2" male threaded adaptor	1



REMOTE MOUNTING OF TURBINE WITH ACCESS UNDER BATH

2 TURBINE & GEYSAIR INSTALLATION (FOR THERMOMASSEUR®)



⚠ WARNING

- Access to Geysair™ backflow preventer is necessary for cleaning of the filter.
- Baths from Essencia™ collection cannot be drilled for faucet installation. Faucets must be freestanding or wall-mounted models.
- **Geysair component cannot be remote mounted. It must stay at original position, attached to bath. Must never be unplugged.**

3 ELECTRICAL WIRING OF OPTIONAL COMPONENTS



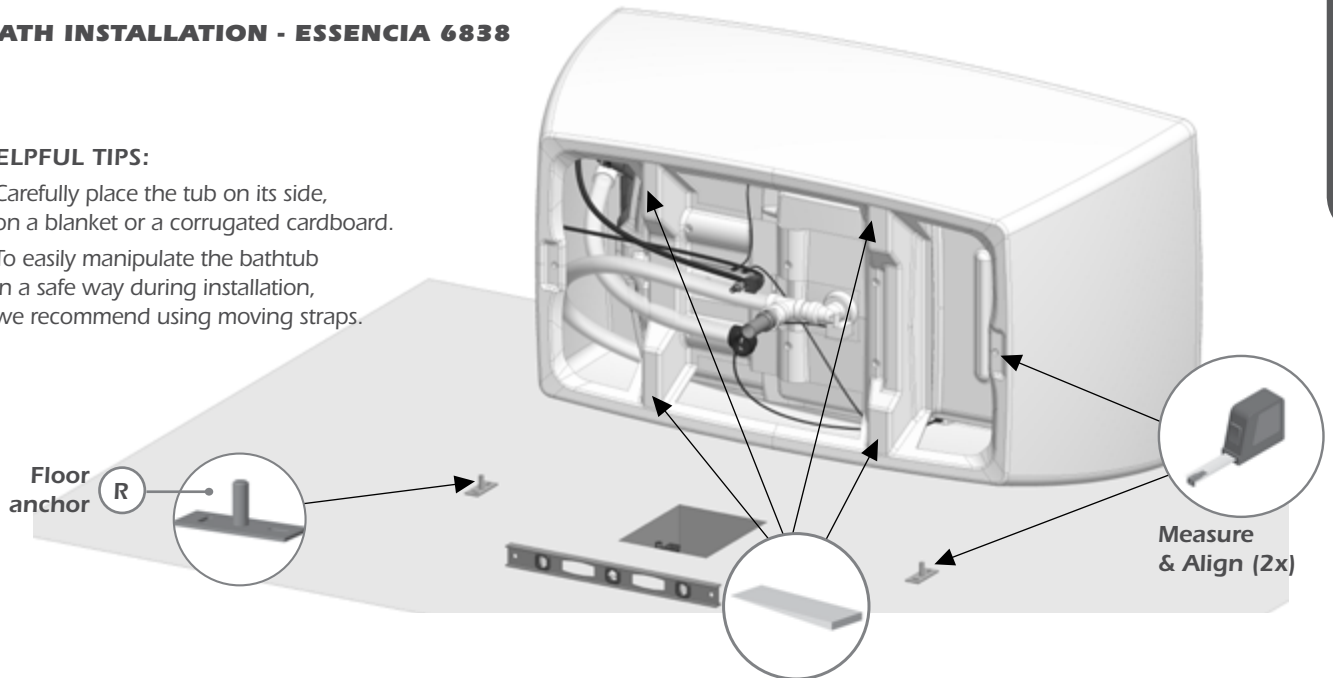
REMOTE MOUNTING OF TURBINE WITH ACCESS UNDER BATH

4 BATH INSTALLATION - ESSENCIA 6838



HELPFUL TIPS:

- Carefully place the tub on its side, on a blanket or a corrugated cardboard.
- To easily manipulate the bathtub in a safe way during installation, we recommend using moving straps.

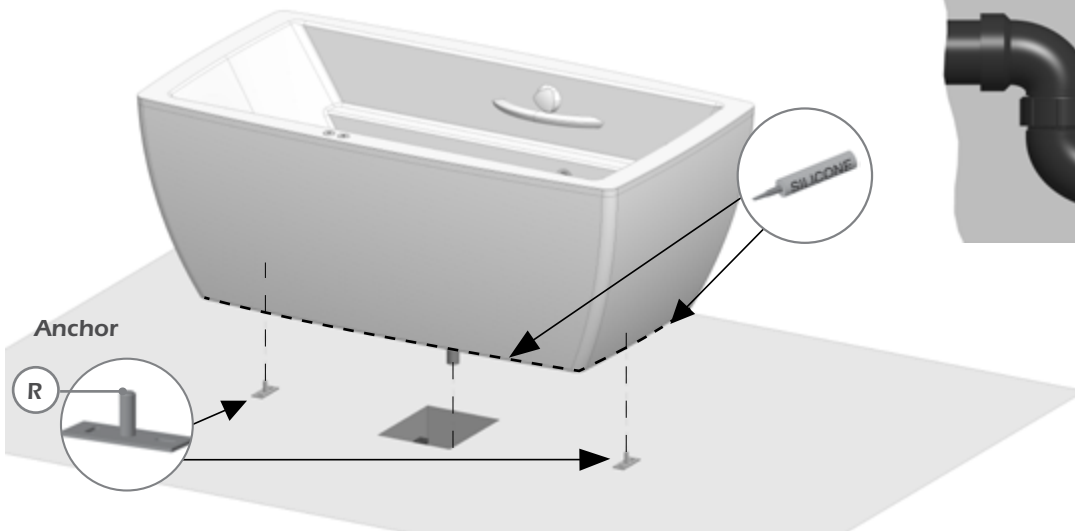
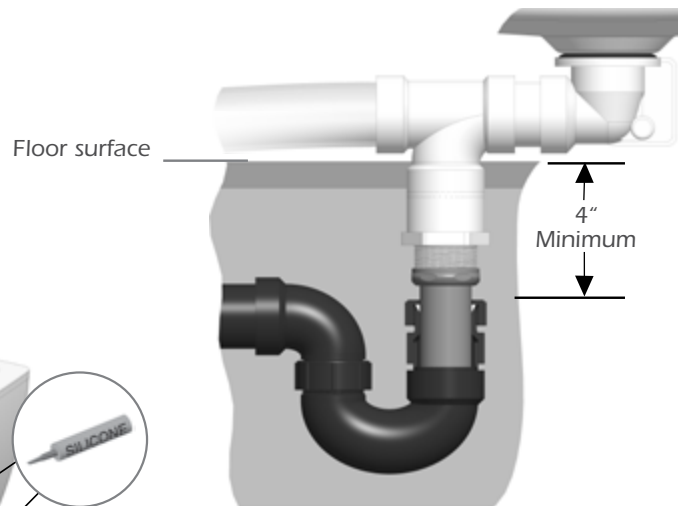


ESSENCIA® - installation



WARNING

- Be sure the floor is leveled. Use shims as needed.
- Do not remove the protective plastic film on the tub and place a drop-cloth in the tub during installation to protect the acrylic.
- Apply a bead of silicone around the perimeter of the bath.
- The tub must be securely anchored to floor.
- Install the bath on anchors «R» previously screwed to floor. Remove exceeding silicone.



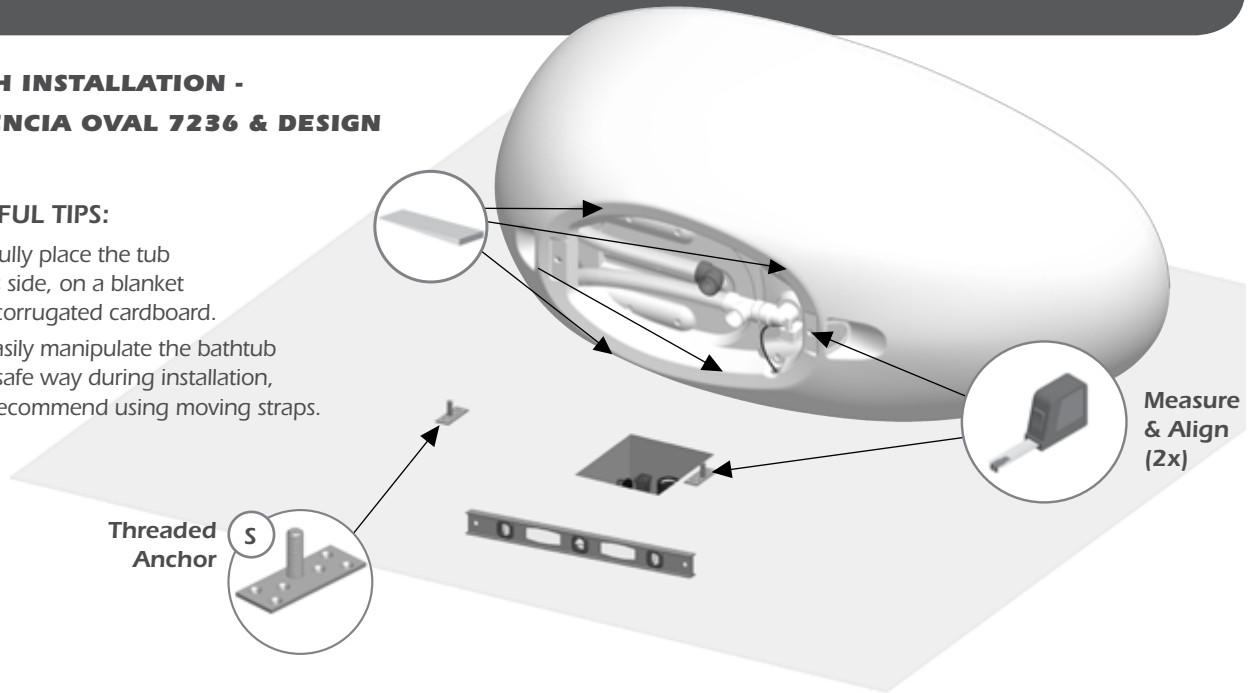
REMOTE MOUNTING OF TURBINE WITH ACCESS UNDER BATH

**4 BATH INSTALLATION -
ESSENCIA OVAL 7236 & DESIGN**



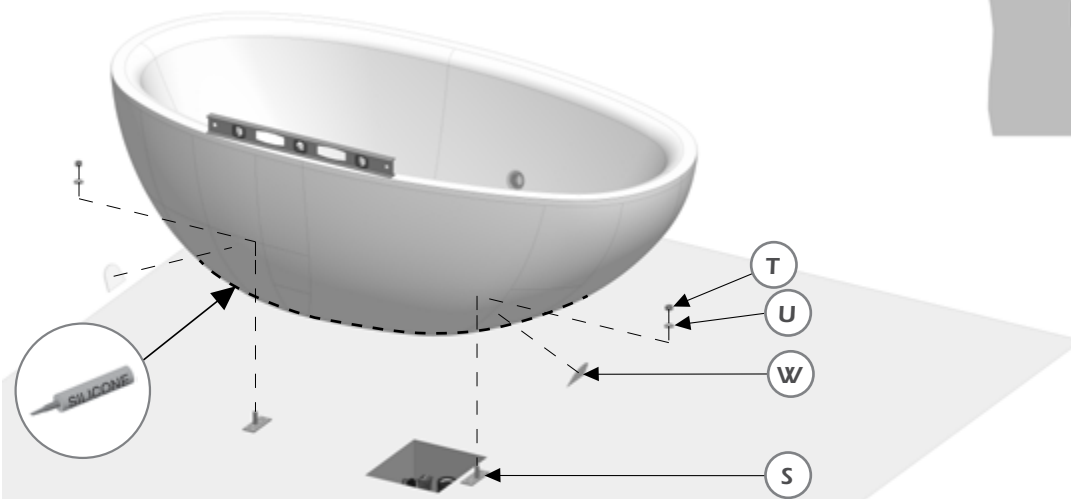
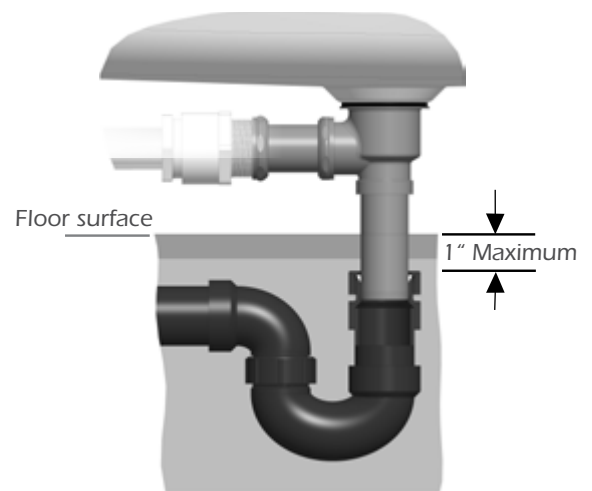
HELPFUL TIPS:

- Carefully place the tub on its side, on a blanket or a corrugated cardboard.
- To easily manipulate the bathtub in a safe way during installation, we recommend using moving straps.



! WARNING

- Be sure the floor is leveled. Use shims as needed.
- Do not remove the protective plastic film on the tub and place a drop-cloth in the tub during installation to protect the acrylic.
- Apply a bead of silicone around the perimeter of the bath once on the floor.
- The tub must be securely anchored to floor.
- Install the bath on anchors «S» previously screwed to floor. Remove exceeding silicone.
- Connect the drain.
- Attach bath to floor by screwing washers «U» and nuts «T» to anchors «S».
- Close with the seals «W».



REMOTE MOUNTING OF TURBINE WITH ACCESS UNDER BATH

5 ELECTRONIC CONTROL INSTALLATION - MIAPLUS® & MIAMULTI® (OPTIONAL) LOCATION

LOCATION: Determine the most convenient location, on the wall close to tub. Peel off the protective film of sticker behind the control. You can add a silicone bead to secure to the wall.

WARNING

- Baths from Essencia® collection cannot be drilled for faucet installation. Faucets must be freestanding or wall-mounted models.
- **DRILLING OF WALL:** Refer to the **Cutting Template on page 34** for the location and diameter of the holes.

TOOLS REQUIRED

- Jig saw with fine cut blade
- Drill
- 1/4 in. drill bit

TOUCH PAD INSTALLATION

- Push wiring through drilled holes.
- Remove protective film from watertight seal.
- Secure to the wall with permanent waterproof sealant (mold-free clear silicone for bathrooms).
- Secure temporarily with a tape for about 24 h.



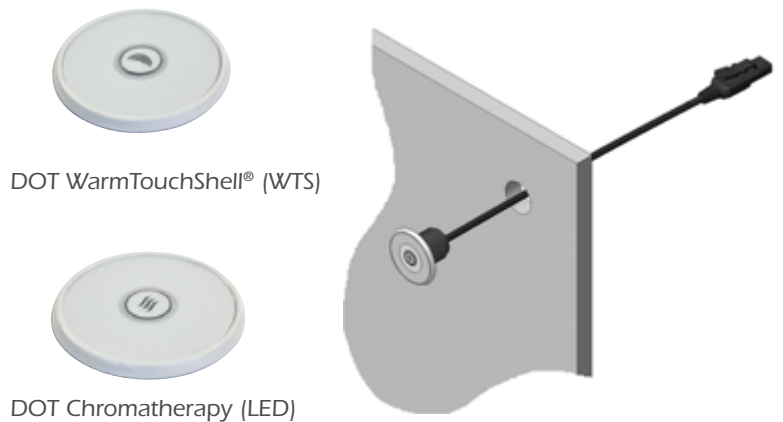
5 ELECTRONIC CONTROL INSTALLATION - DOT

TOOLS REQUIRED

- 7/8 in. Hole saw
- Drill

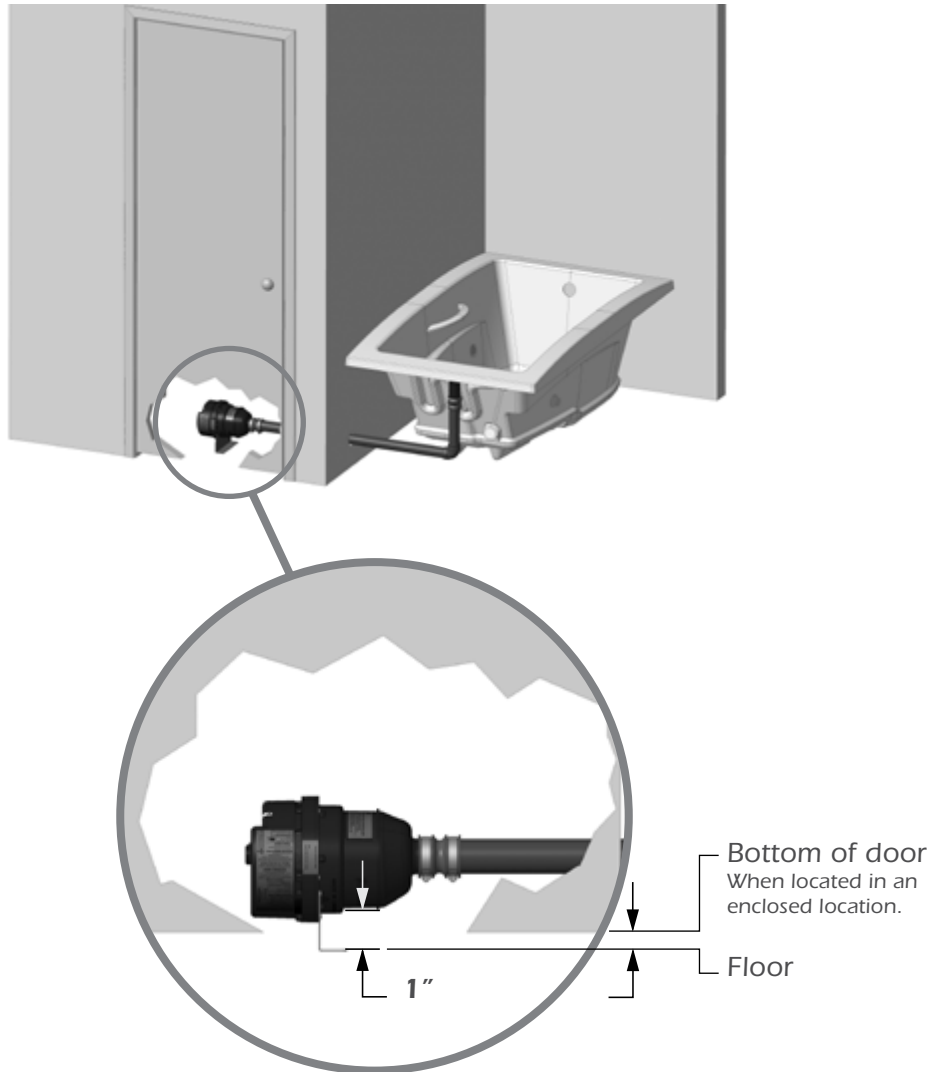
TOUCH PAD INSTALLATION

- Push wiring through drilled holes.
- Remove protective film from watertight seal.
- Secure to the wall with permanent waterproof sealant (mold-free clear silicone for bathrooms).
- Secure temporarily with a tape for about 24 h.



WARNING

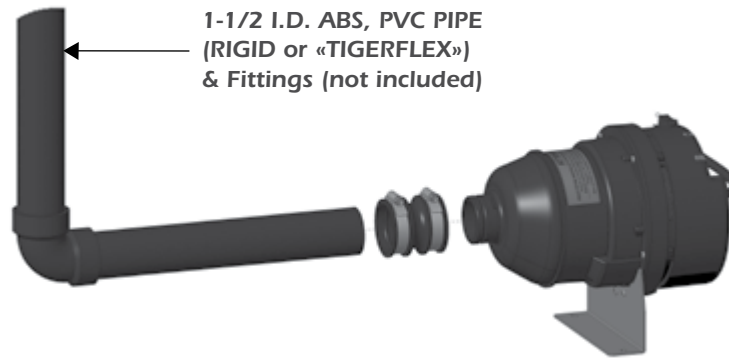
- If the control is not factory installed, you will find it attached to the turbine, or to the electronic control modules.

REMOTE MOUNTING OF TURBINE WITH ACCESS UNDER BATH**6 REMOTE MOUNTING OF TURBINE****⚠ WARNING**

- Choose a location for the turbine with the shortest possible distance from the Thermomasseur® bath, no more than **15 ft. (4,6m)**, and a maximum of six elbow directional changes to ensure system performance. It can be under the floor, in a closet or any other place that can hide the turbine and if needed optional modules. Easy access must remain possible at all time and sufficient air ventilation is necessary for turbine.
- A service access is necessary. Minimum dimensions are 22 in. x 18 in. (55 cm x 46 cm) to properly reach all electrical components of the system.
- An air vent is necessary. Minimum dimensions are: 2 in. x 4 in. (5 cm x 10 cm) to ensure proper functioning of the turbine.
- **Geysair™ cannot be remotely installed.**

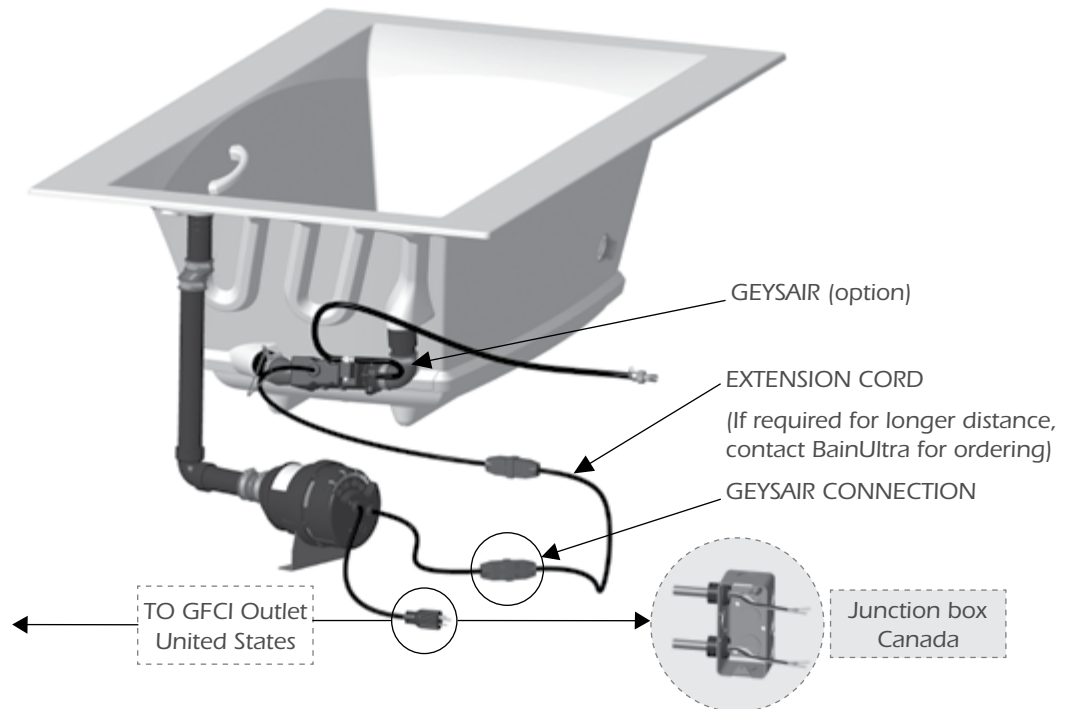
REMOTE MOUNTING OF TURBINE WITH ACCESS UNDER BATH

7 REMOTE MOUNTING OF TURBINE - AIR PIPE (THERMOMASSEUR®)




7 REMOTE MOUNTING OF TURBINE - ELECTRICAL CONNECTIONS (THERMOMASSEUR®)

- See page 20 for electrical diagram



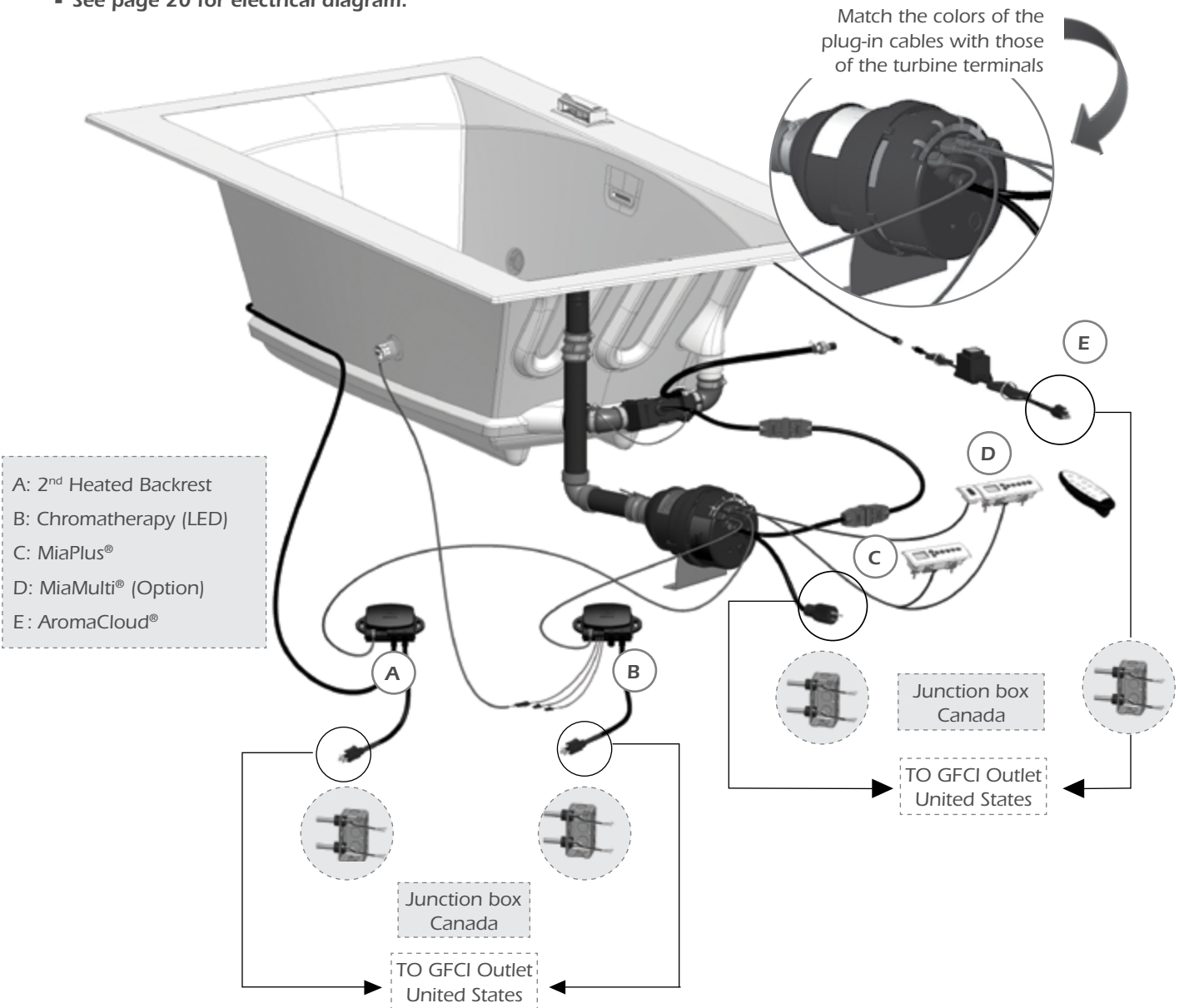
WARNING

- For Geysair™ equipped baths using remote turbine installation (not mounted on the bath), grounding continuity must be tested between the bath grounding terminal  and the bath power supply.
Failure to perform the grounding continuity test could result in serious personal injury.

REMOTE MOUNTING OF TURBINE WITH ACCESS UNDER BATH

8 REMOTE MOUNTING OF TURBINE - ELECTRICAL CONNECTIONS OF OPTIONAL THERAPIES

▪ See page 20 for electrical diagram.



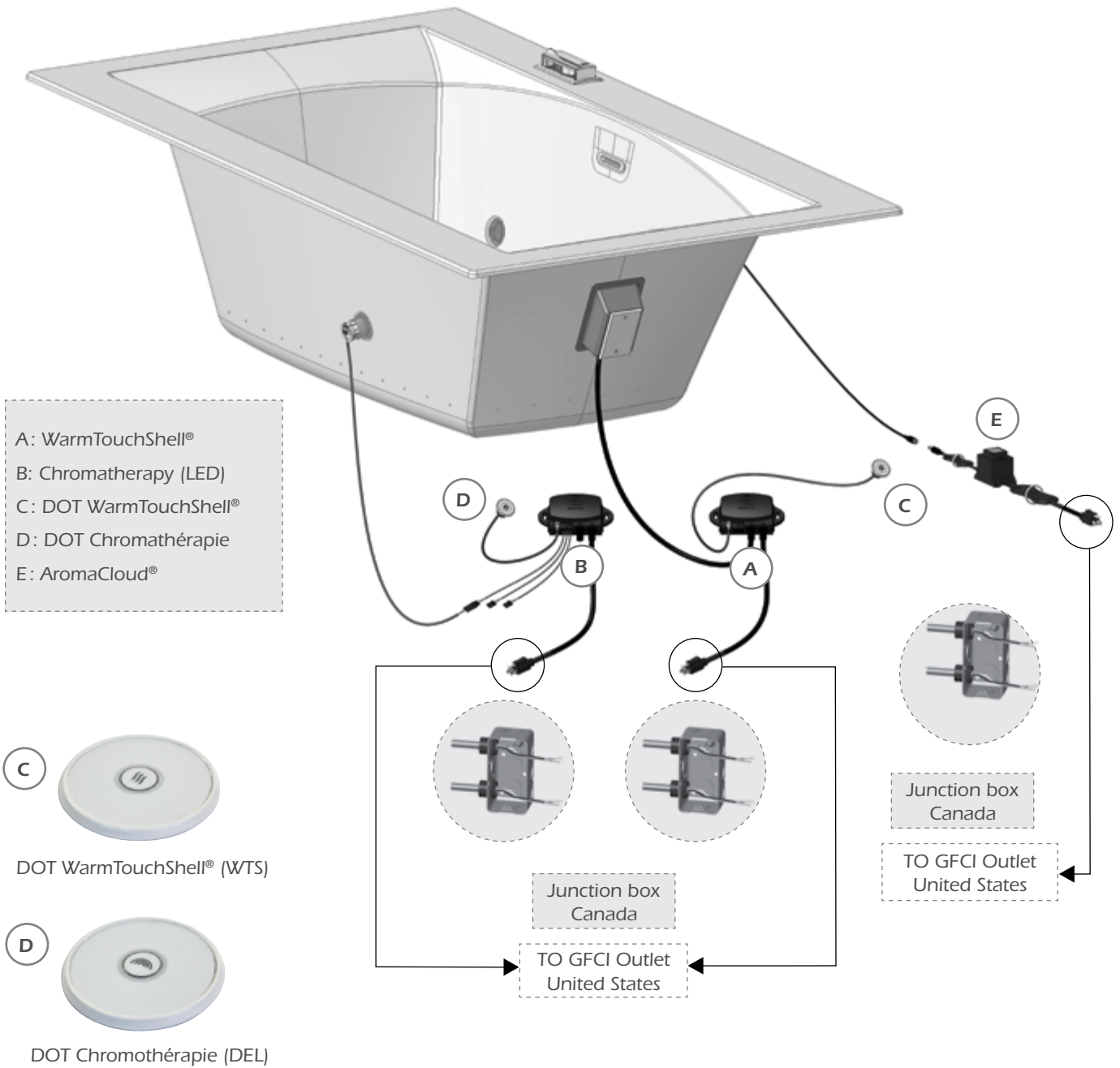
⚠ WARNING

- Electrical outlet must be installed by a certified electrician. Installation must be conducted in accordance with all local, provincial/state, and federal building/electrical codes and regulation.
- Connect electrical supply only after all low voltage wiring is properly installed on turbine.
- If you did not follow this last step, shut off and then restart your home's circuit breaker.
- Turbine and air pipe should be clear of building materials and wiring.

REMOTE MOUNTING OF TURBINE WITH ACCESS UNDER BATH

8 REMOTE MOUNTING OF OPTIONAL THERAPIES (TUB ONLY) - ELECTRICAL CONNECTIONS

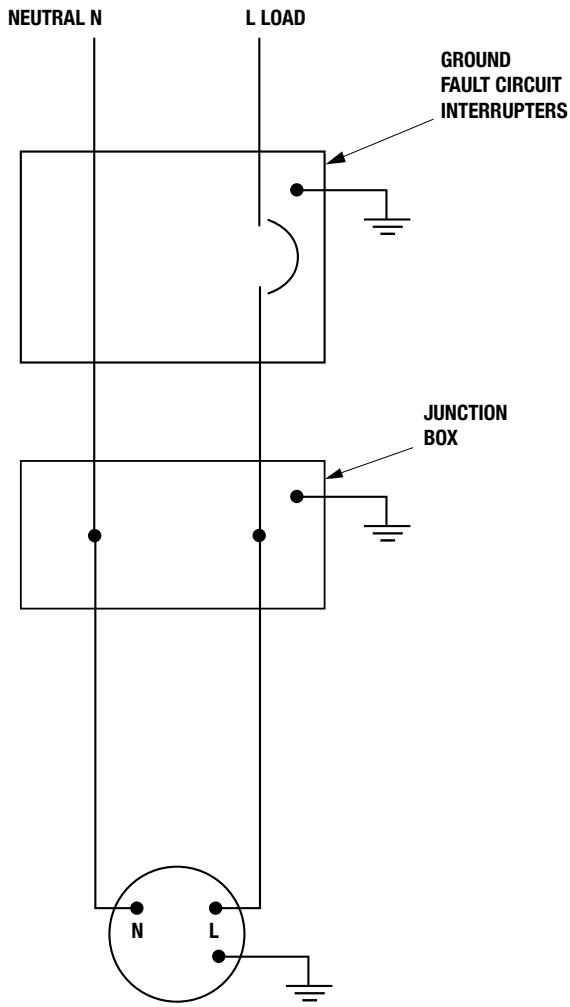
▪ See page 21 for electrical diagram.



REMOTE MOUNTING OF TURBINE WITH ACCESS UNDER BATH

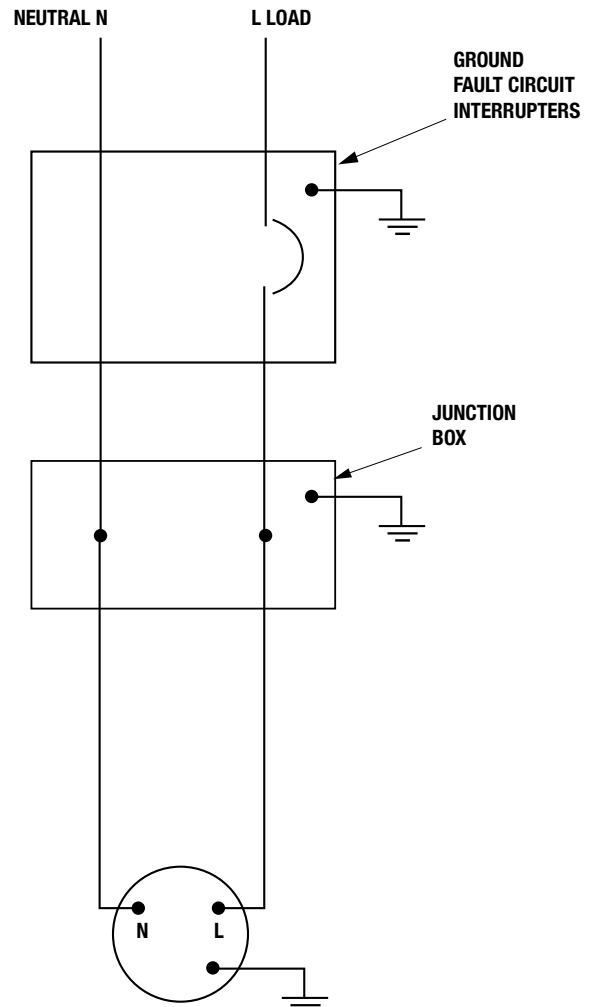
ELECTRICAL DIAGRAM - THERMOMASSEUR

20A CIRCUIT



**TURBINE WITH GEYSAIR
(FOR MIAPLUS®, MIAMULTI®)**

15A CIRCUIT

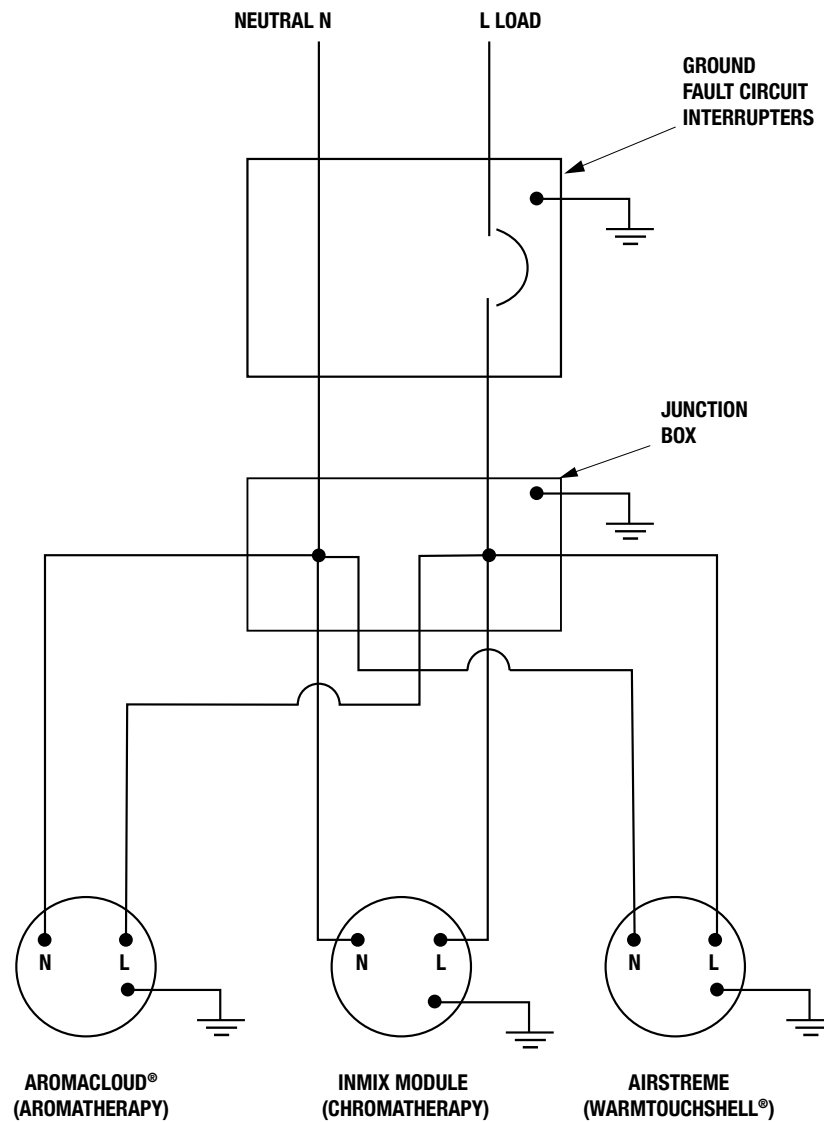


**TURBINE WITHOUT GEYSAIR
(FOR MIAPLUS®, MIAMULTI®)**

REMOTE MOUNTING OF TURBINE WITH ACCESS UNDER BATH

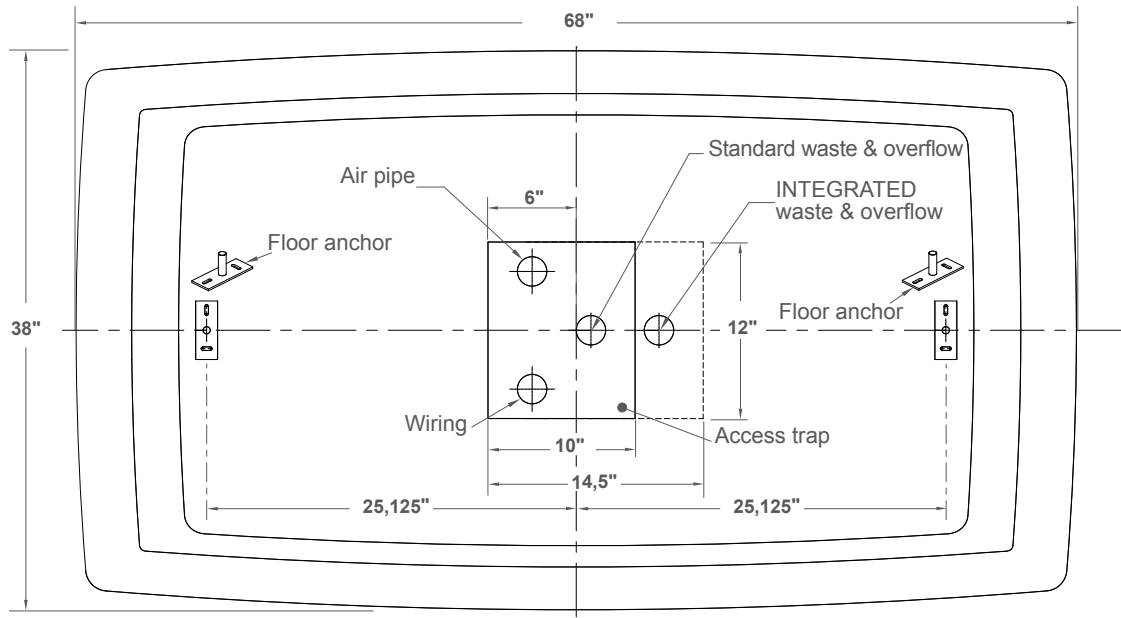
ELECTRICAL DIAGRAM - THERAPIES

15A CIRCUIT

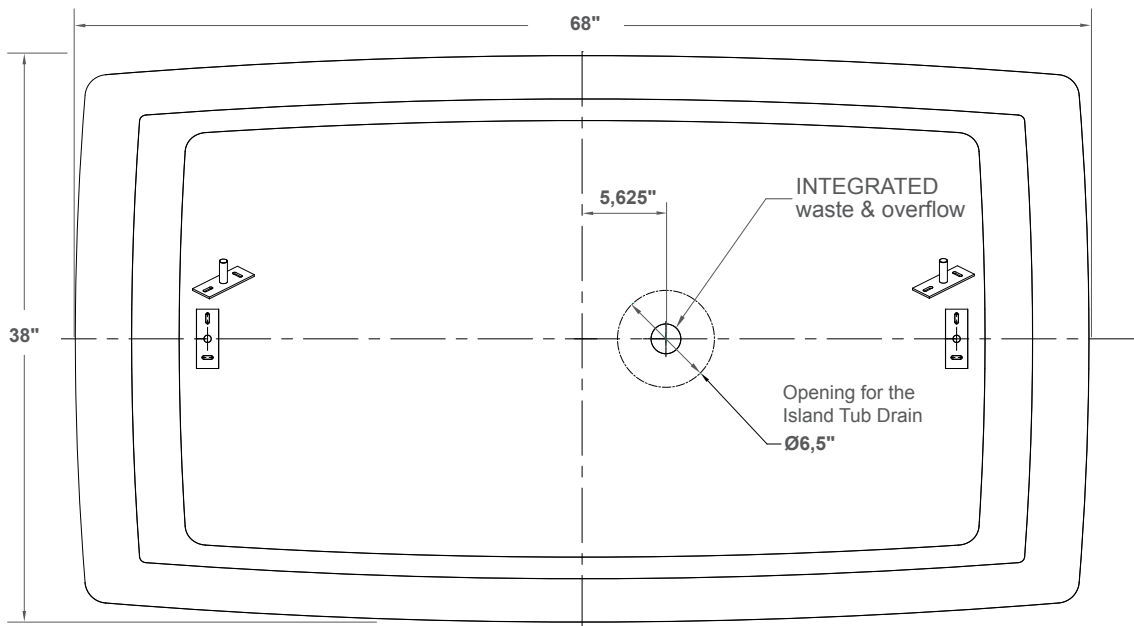


REMOTE MOUNTING OF TURBINE WITHOUT ACCESS UNDER BATH

1 PLUMBING - FLOOR LAYOUT FOR PIPES AND ACCESS



ESSENCIA 6838 - STANDARD WASTE INSTALLATION

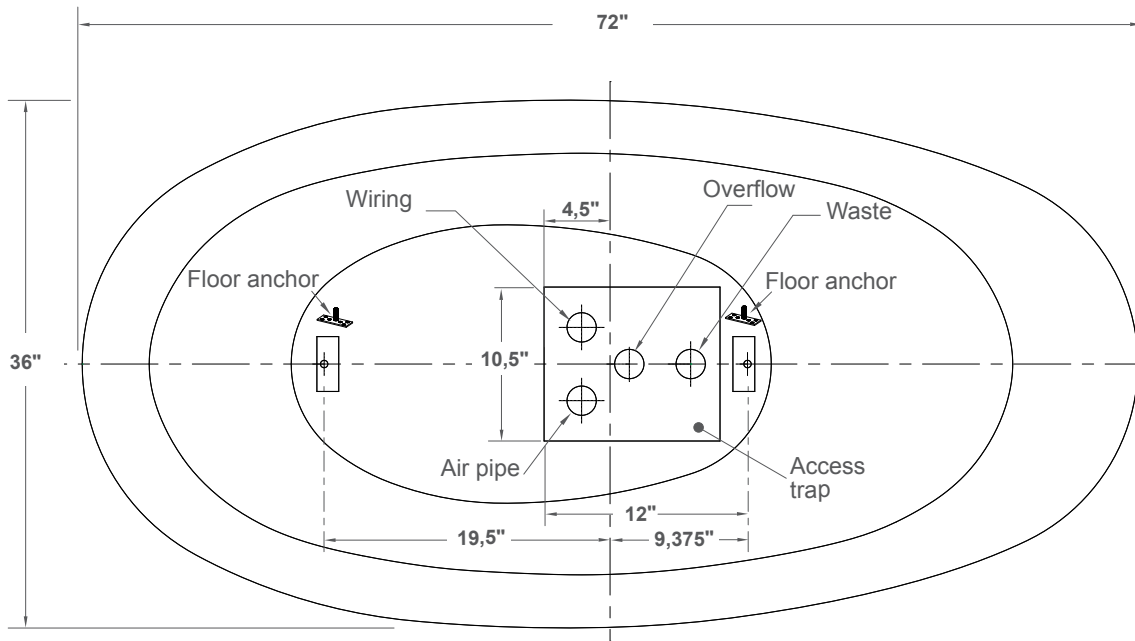


ESSENCIA 6838 - ISLAND TUB DRAIN INSTALLATION (INTEGRATED OVERFLOW option ONLY)

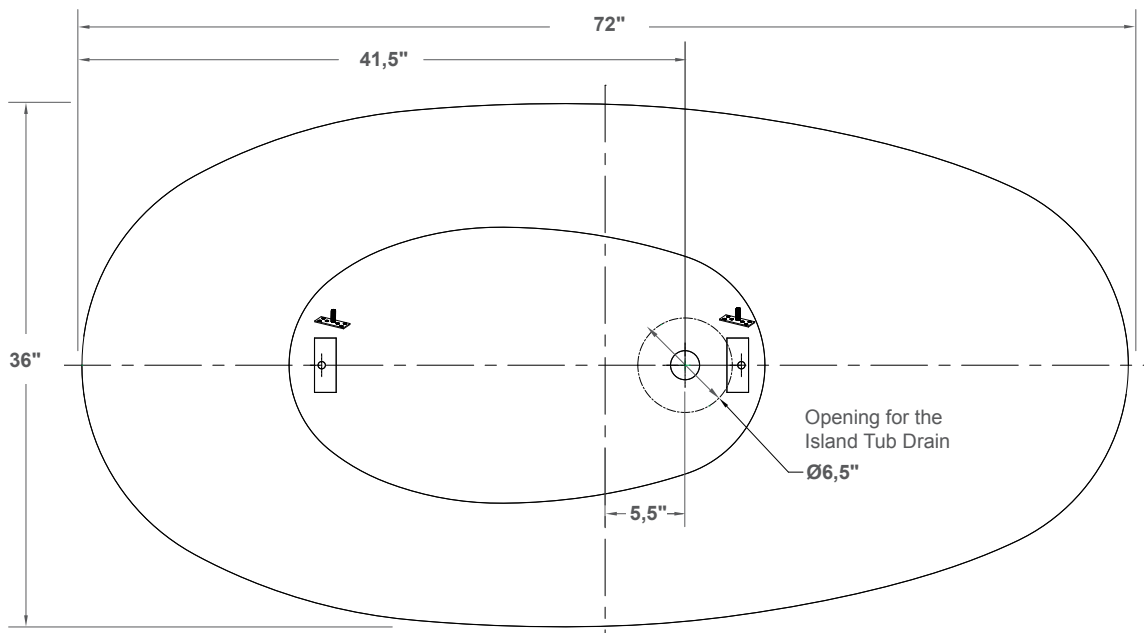
NOTE: Please refer to the **Installation Template** provided with your **ESSENCIA bath**. However, if it is missing, please contact us at **1-800-463-2187** to order it.

REMOTE MOUNTING OF TURBINE WITHOUT ACCESS UNDER BATH

1 PLUMBING - FLOOR LAYOUT FOR PIPES AND ACCESS (cont'd)



ESSENCIA OVAL 7236 - STANDARD WASTE INSTALLATION



ESSENCIA DESIGN - ISLAND TUB DRAIN INSTALLATION

NOTE: Please refer to the **Installation Template** provided with your **ESSENCIA bath**. However, if it is missing, please contact us at **1-800-463-2187** to order it.

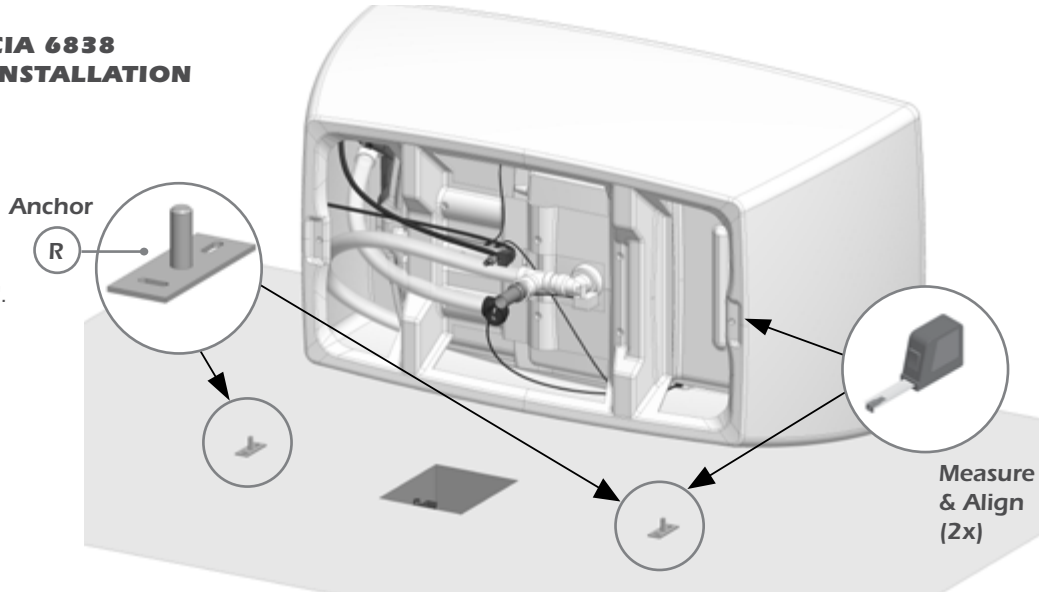
REMOTE MOUNTING OF TURBINE WITHOUT ACCESS UNDER BATH

**1 PLUMBING - ESSENCIA 6838
STANDARD DRAIN INSTALLATION**



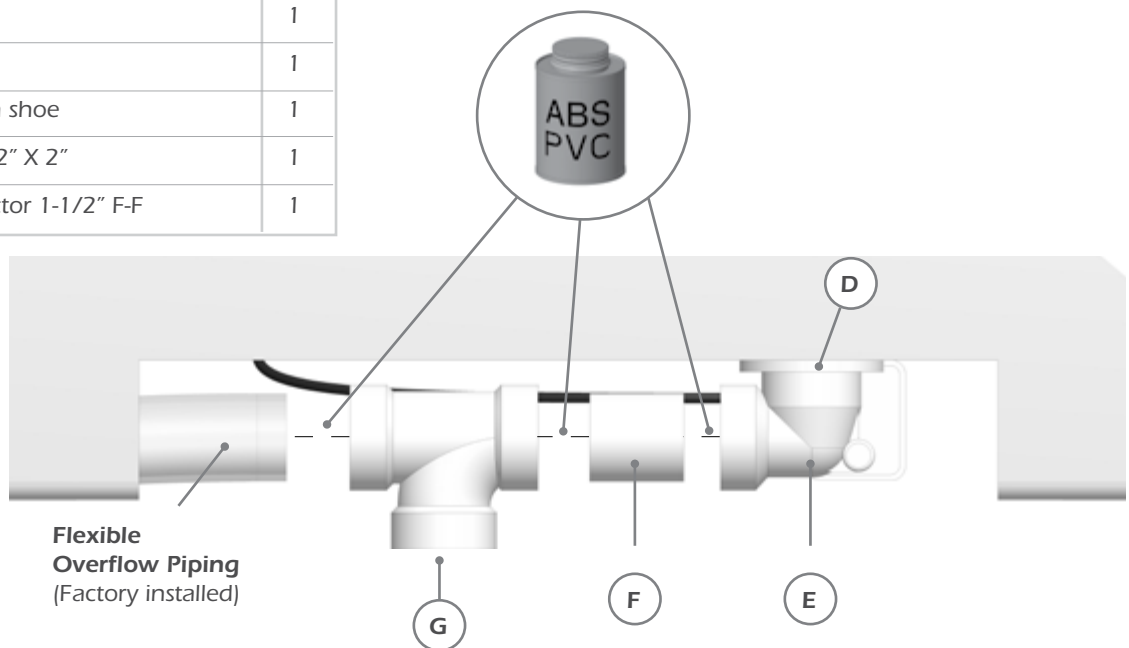
HELPFUL TIP:

- Carefully place the tub on its side, on a blanket or a corrugated cardboard.



**STANDARD PARTS - PLUMBING
ESSENCIA 6838**

	DESCRIPTION	QTY
A	Plated drain clicker (p. 3)	1
B	Locking nut (p. 3)	1
C	Strainer (p. 3)	1
D	Rubber seal	1
E	PVC Wired drain shoe	1
F	PVC Piping 1-1/2" X 2"	1
G	PVC Tee Connector 1-1/2" F-F	1



WARNING

- If necessary adjust length of the flexible overflow piping connected to the overflow.

REMOTE MOUNTING OF TURBINE WITHOUT ACCESS UNDER BATH

1 PLUMBING - ESSENCIA 6838 ISLAND TUB DRAIN INSTALLATION (INTEGRATED DRAIN & OVERFLOW OPTION)



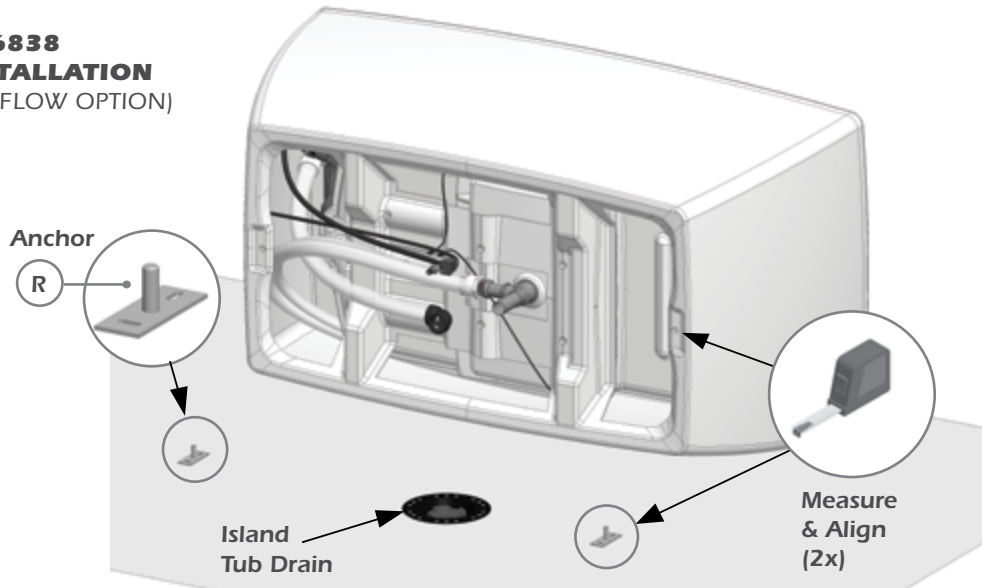
HELPFUL TIP:

- Carefully place the tub on its side, on a blanket or a corrugated cardboard.



WARNING

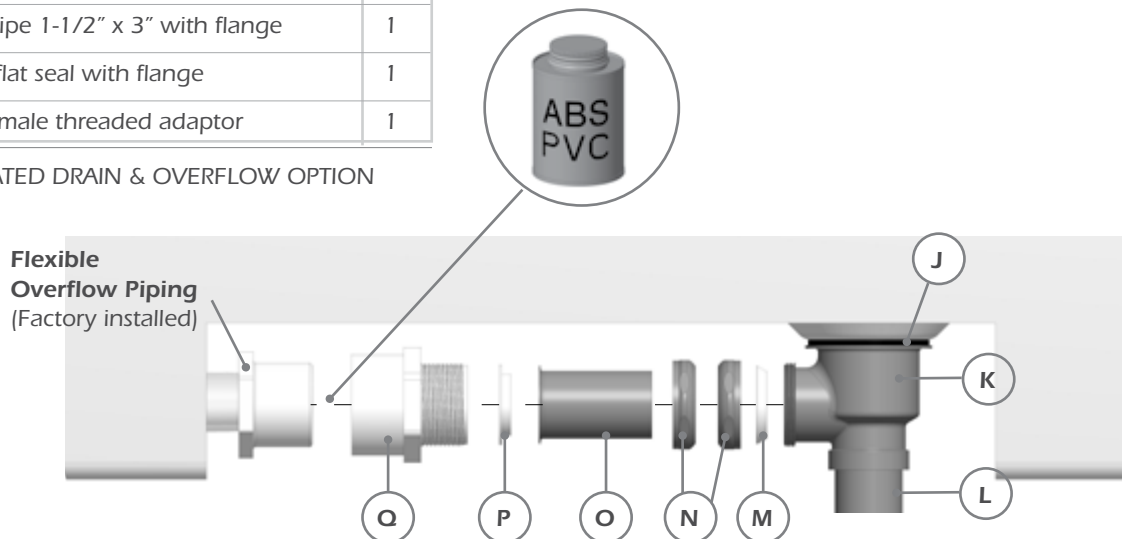
- Refer to supplied instructions for Island Tub Drain installation.



OPTIONAL PARTS - PLUMBING⁽¹⁾ ESSENCIA 6838

	DESCRIPTION	QTY
H	Plated drain clicker	1
I	Strainer	1
J	Rubber seal	1
K	Brass drain shoe	1
L	4 in. brass tailpiece	1
M	Nylon conic shaped seal for drain	1
N	Brass nut	2
O	Brass pipe 1-1/2" x 3" with flange	1
P	Nylon flat seal with flange	1
Q	1-1/2" male threaded adaptor	1

(1): INTEGRATED DRAIN & OVERFLOW OPTION



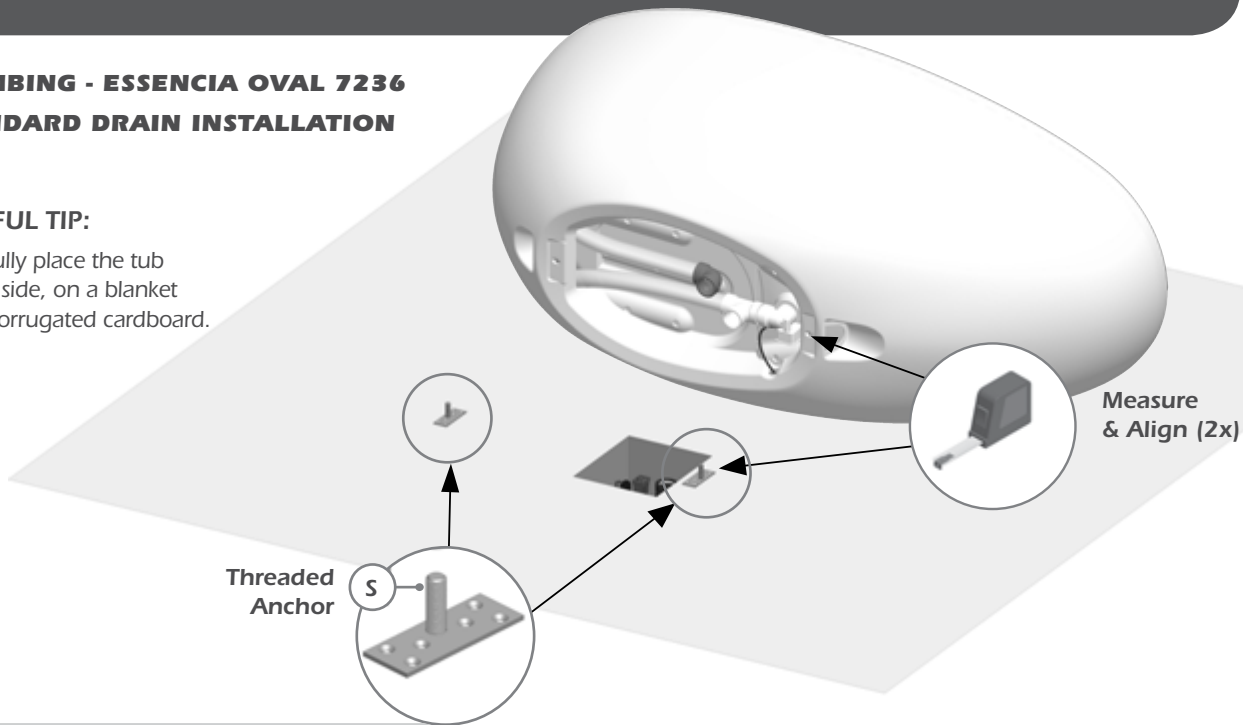
REMOTE MOUNTING OF TURBINE WITHOUT ACCESS UNDER BATH

**1 PLUMBING - ESSENCIA OVAL 7236
STANDARD DRAIN INSTALLATION**



HELPFUL TIP:

- Carefully place the tub on its side, on a blanket or a corrugated cardboard.

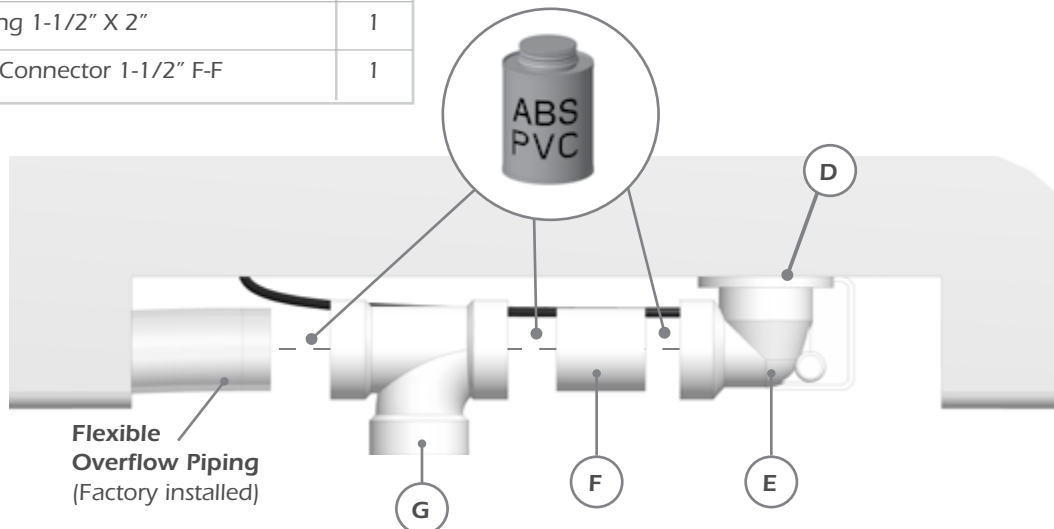


**STANDARD PARTS - PLUMBING
ESSENCIA OVAL 7236**

	DESCRIPTION	QTY
A	Plated drain clicker (p. 3)	1
B	Locking nut (p. 3)	1
C	Strainer (p. 3)	1
D	Rubber seal	1
E	PVC Wired drain shoe	1
F	PVC Piping 1-1/2" X 2"	1
G	PVC Tee Connector 1-1/2" F-F	1

⚠ WARNING

- If necessary adjust length of the flexible overflow piping connected to the overflow.
- Adjust length on the straight part of the brass overflow pipe «F» to fit with the drain position that varies with different bath models.
- Fix anchors «S» to floor with the provided screws «V» (p. 4).



REMOTE MOUNTING OF TURBINE WITHOUT ACCESS UNDER BATH

**1 PLUMBING - ESSENCIA DESIGN
ISLAND TUB DRAIN INSTALLATION**



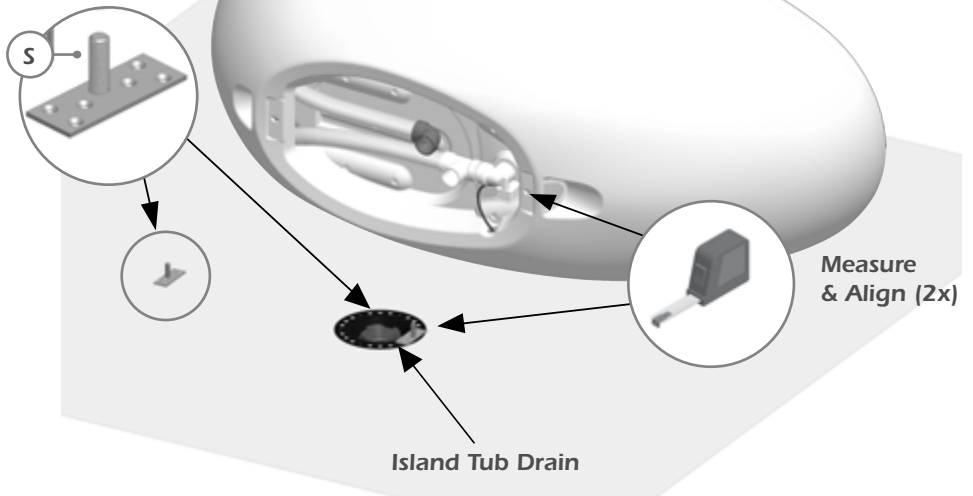
HELPFUL TIP:

- Carefully place the tub on its side, on a blanket or a corrugated cardboard.



WARNING

- Refer to supplied instructions for Island Tub Drain installation.



**STANDARD PARTS - PLUMBING⁽¹⁾
ESSENCIA DESIGN**

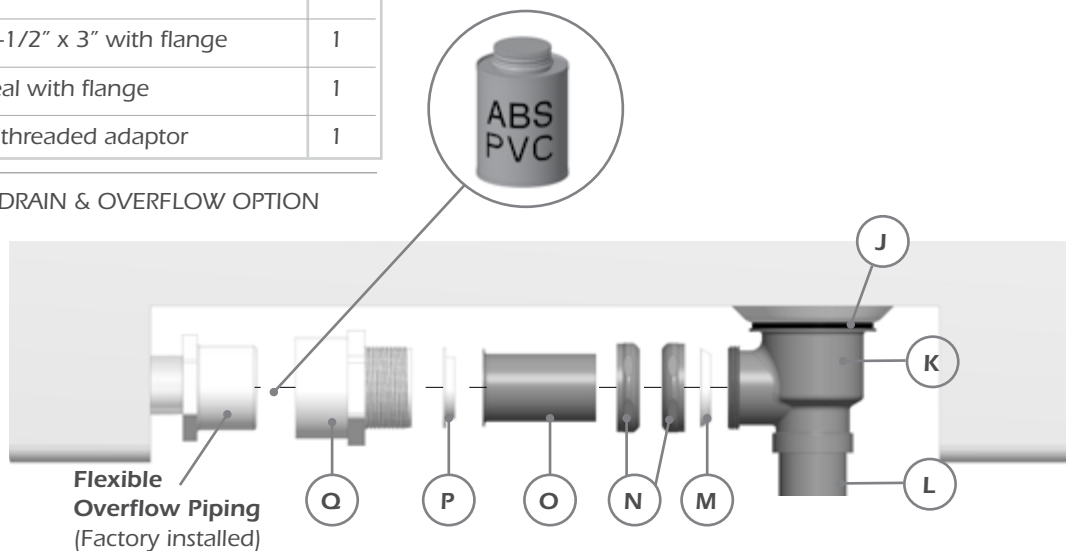
	DESCRIPTION	QTY
H	Plated drain clicker	1
I	Strainer	1
J	Rubber seal	1
K	Brass drain shoe	1
L	4 in. brass tailpiece	1
M	Nylon conic shaped seal for drain	1
N	Brass nut	2
O	Brass pipe 1-1/2" x 3" with flange	1
P	Nylon flat seal with flange	1
Q	1-1/2" male threaded adaptor	1



WARNING

- Fix anchors «S» to floor with the provided screws «V» (p. 4).

(1): INTEGRATED DRAIN & OVERFLOW OPTION



REMOTE MOUNTING OF TURBINE WITHOUT ACCESS UNDER BATH

**2 TURBINE & GEYSAIR INSTALLATION (FOR THERMOMASSEUR®)
PASSAGE FOR THE ELECTRICAL WIRING OF OPTIONAL THERAPIES**

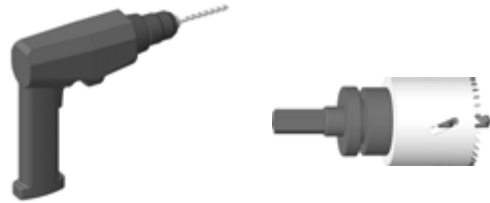
⚠ WARNING

IF THE AIR PIPING CONNECTIONS AND POWER SUPPLY OF THERAPEUTIC OPTIONS HAVE TO BE AT FLOOR LEVEL, YOU MUST MAKE AN OPENING ON ONE SIDE OF THE BATH, AS CLOSE AS POSSIBLE TO TURBINE AND CONTROLS.

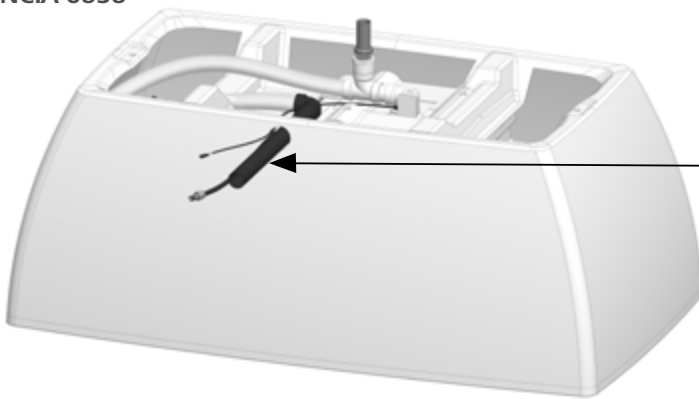
- Do not drill through the interior shell.
- The size of the opening must be large enough to allow wires and pipes to go through.

TOOLS REQUIRED

- Drill
- 1/4 in. drill bit
- Jig saw with fine cut blade

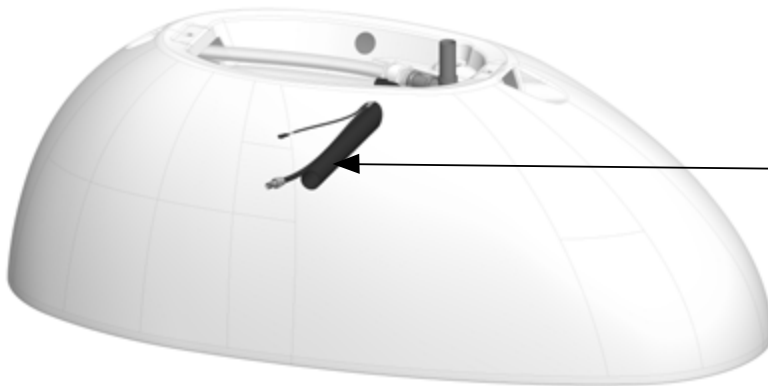


ESSENCIA 6838



- Air pipe*
- Geysair (optional)
- Electric cables (Optional therapies)

ESSENCIA Oval 7236 & DESIGN

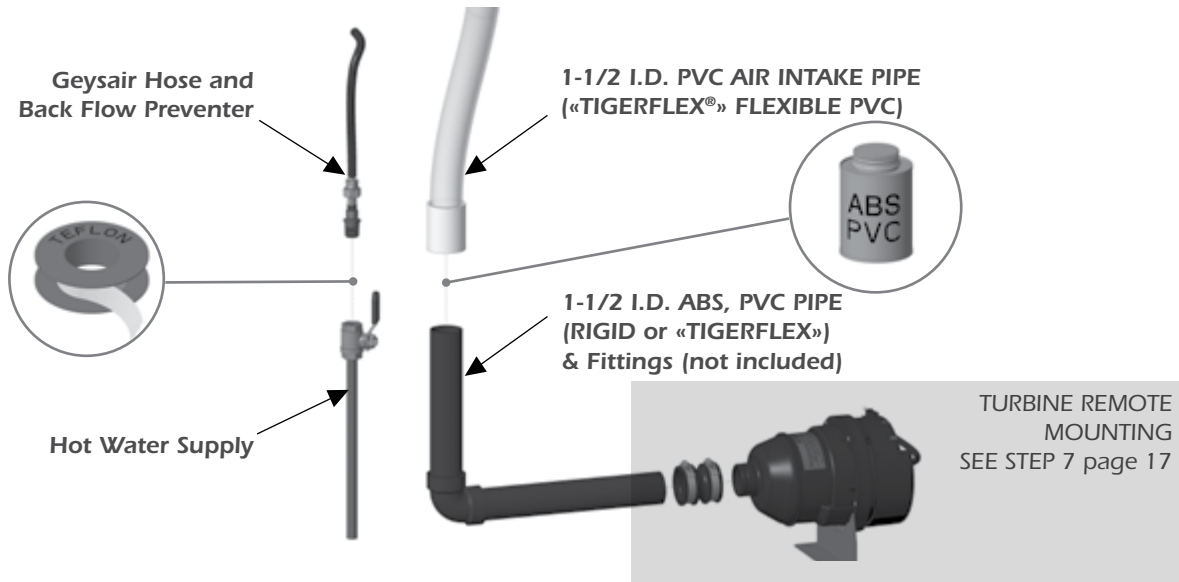


- Air pipe*
- Geysair (optional)
- Electric cables (Optional therapies)

(*): Location of air pipe can differ from drawing.

REMOTE MOUNTING OF TURBINE WITHOUT ACCESS UNDER BATH

2 TURBINE & GEYSAIR INSTALLATION (FOR THERMOMASSEUR®)



! WARNING

- Access to Geysair™ backflow preventer is necessary for cleaning of the filter.
- Baths from Essencia™ collection cannot be drilled for faucet installation. Faucets must be freestanding or wall-mounted models.
- **Geysair component cannot be remote mounted. It must stay at original position, attached to bath. Must never be unplugged.**

3 ELECTRICAL WIRING OF OPTIONAL COMPONENTS



REMOTE MOUNTING OF TURBINE WITHOUT ACCESS UNDER BATH

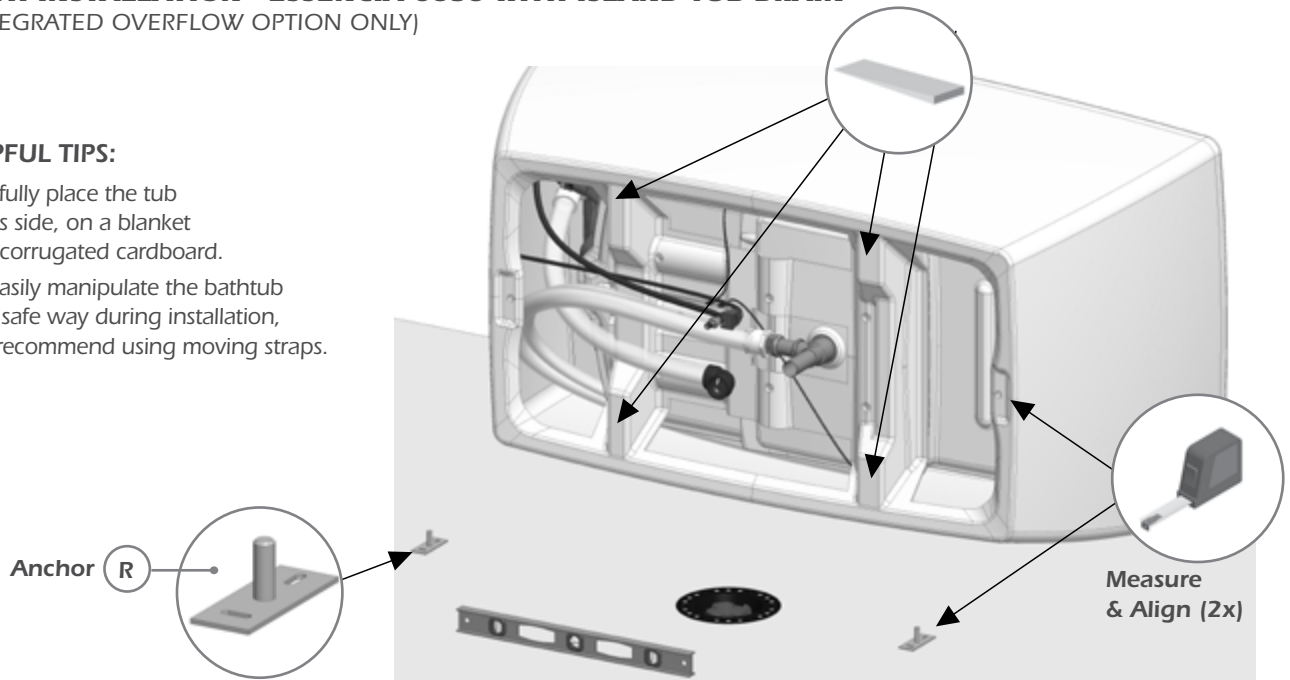
4 BATH INSTALLATION - ESSENCIA 6838 WITH STANDARD DRAIN 13

4 BATH INSTALLATION - ESSENCIA 6838 WITH ISLAND TUB DRAIN
(INTEGRATED OVERFLOW OPTION ONLY)



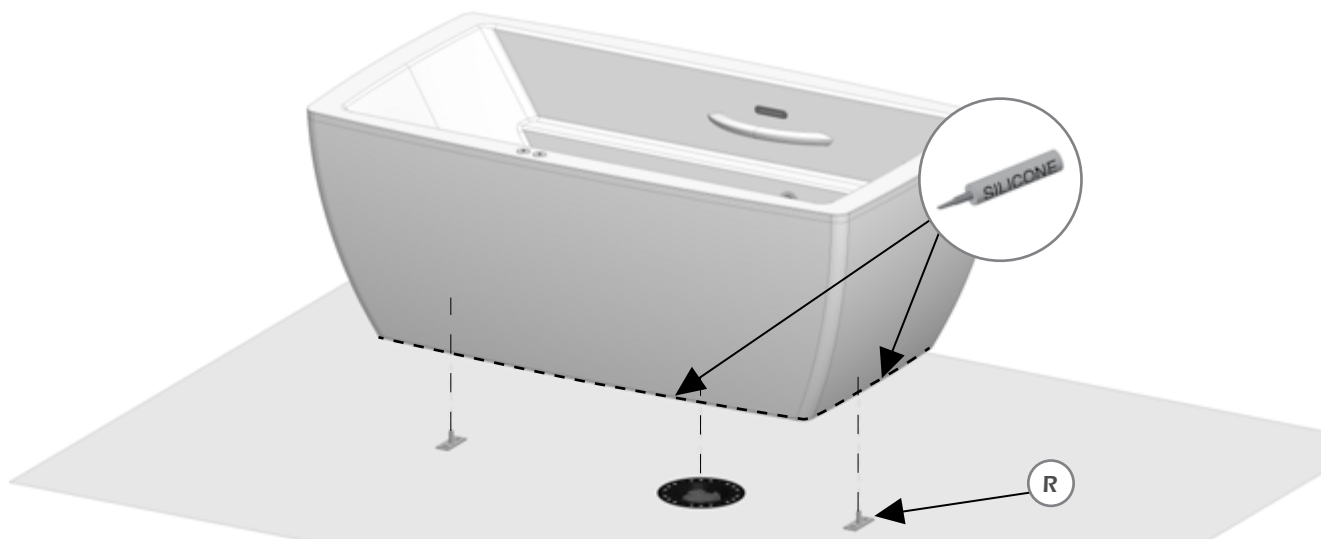
HELPFUL TIPS:

- Carefully place the tub on its side, on a blanket or a corrugated cardboard.
- To easily manipulate the bathtub in a safe way during installation, we recommend using moving straps.



WARNING

- Be sure the floor is leveled. Use shims as needed.
- Do not remove the protective plastic film on the tub and place a drop-cloth in the tub during installation to protect the acrylic.
- Apply a bead of silicone around the perimeter of the bath once on the floor.
- Connect the drain.
- Install bath on anchors «R» previously screwed to the floor. Remove exceeding silicone.



REMOTE MOUNTING OF TURBINE WITHOUT ACCESS UNDER BATH

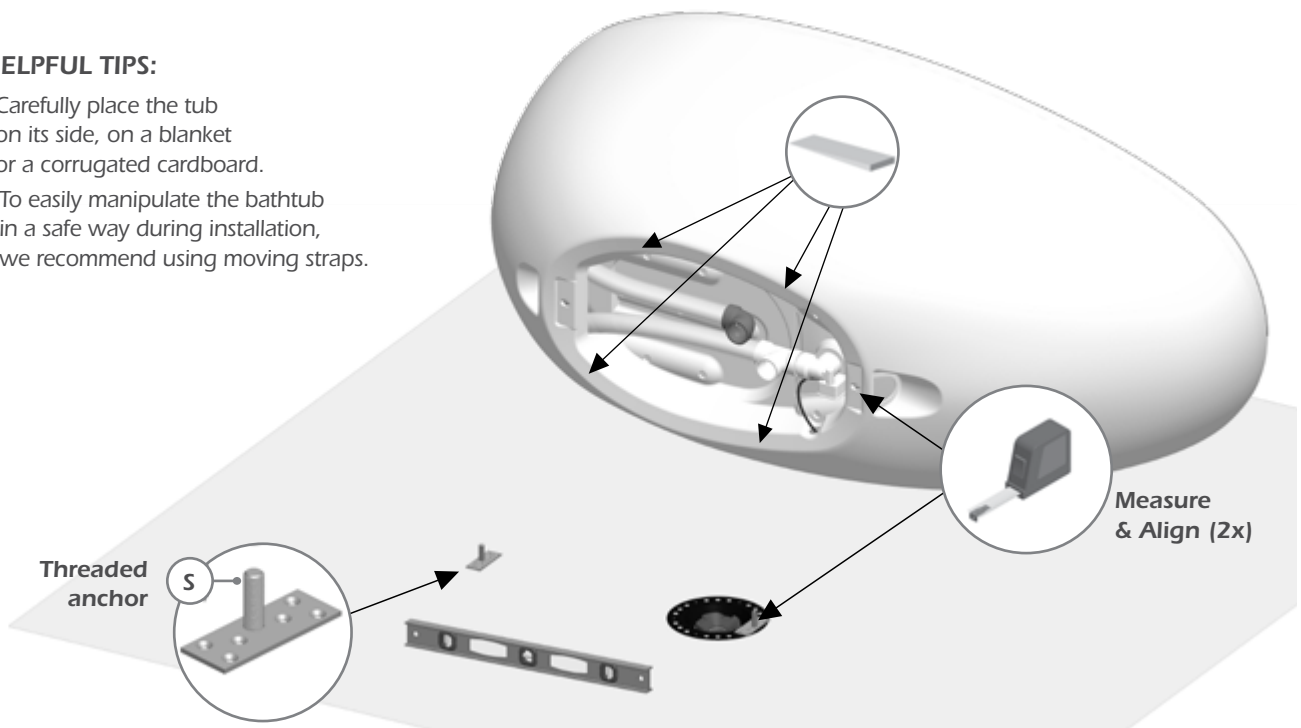
4 BATH INSTALLATION - ESSENCIA OVAL 7236 WITH STANDARD DRAIN 14

4 BATH INSTALLATION: ESSENCIA DESIGN WITH ISLAND TUB DRAIN



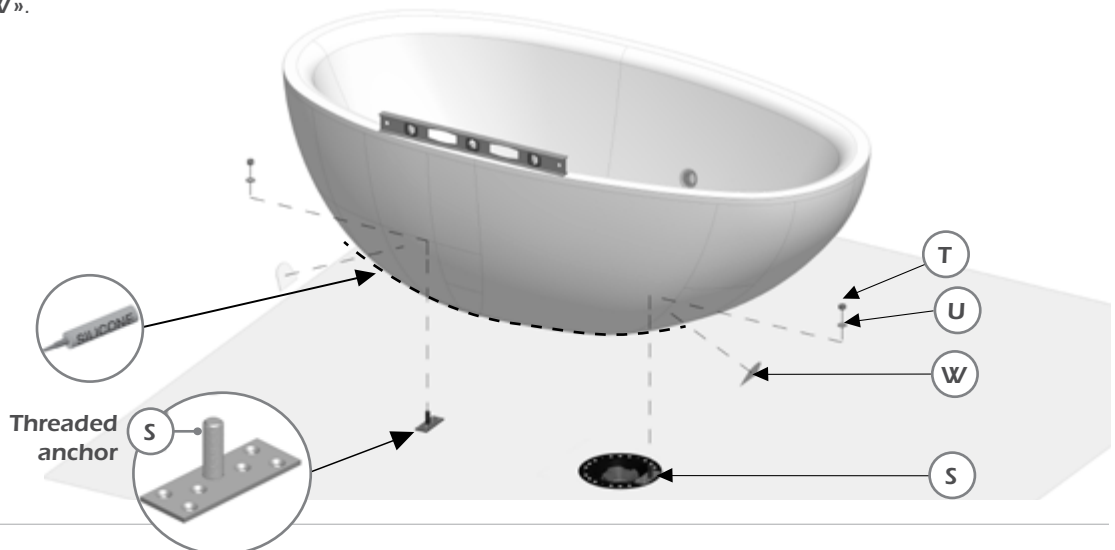
HELPFUL TIPS:

- Carefully place the tub on its side, on a blanket or a corrugated cardboard.
- To easily manipulate the bathtub in a safe way during installation, we recommend using moving straps.



WARNING

- Be sure the floor is leveled. Use shims as needed.
- Do not remove the protective plastic film on the tub and place a drop-cloth in the tub during installation to protect the acrylic.
- Apply a bead of silicone around the perimeter of the bath.
- Connect the drain.
- Install bath on anchors «S» previously screwed to the floor. Remove exceeding silicone.
- Attach the bath to floor with washers «U» and nuts «T» screwed to anchors «S».
- Cover with seals «W».

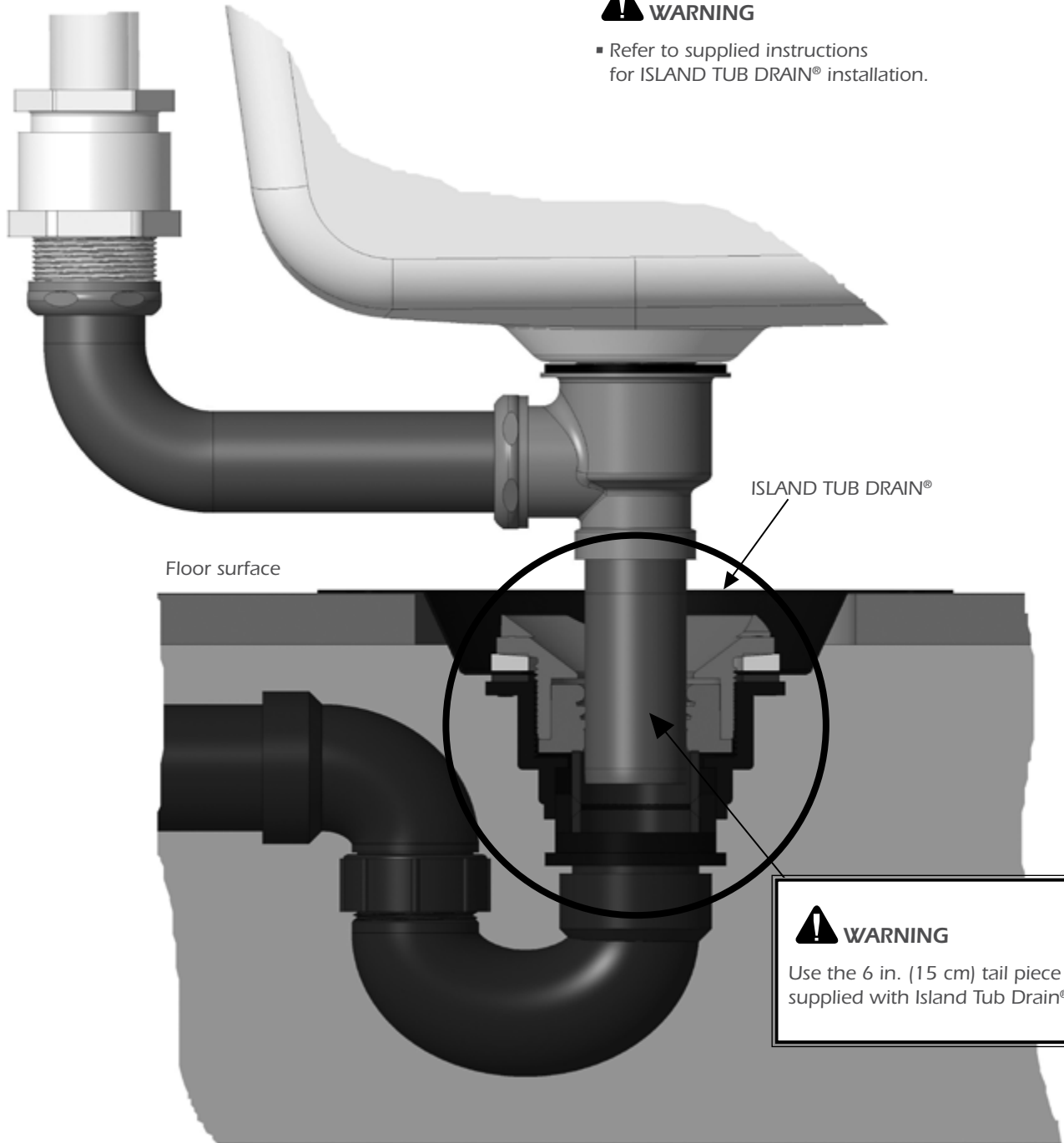


REMOTE MOUNTING OF TURBINE WITHOUT ACCESS UNDER BATH

4 BATH INSTALLATION
DRAIN CONNECTION WITH ISLAND TUB DRAIN® (ITD) - INFORMATION

! WARNING

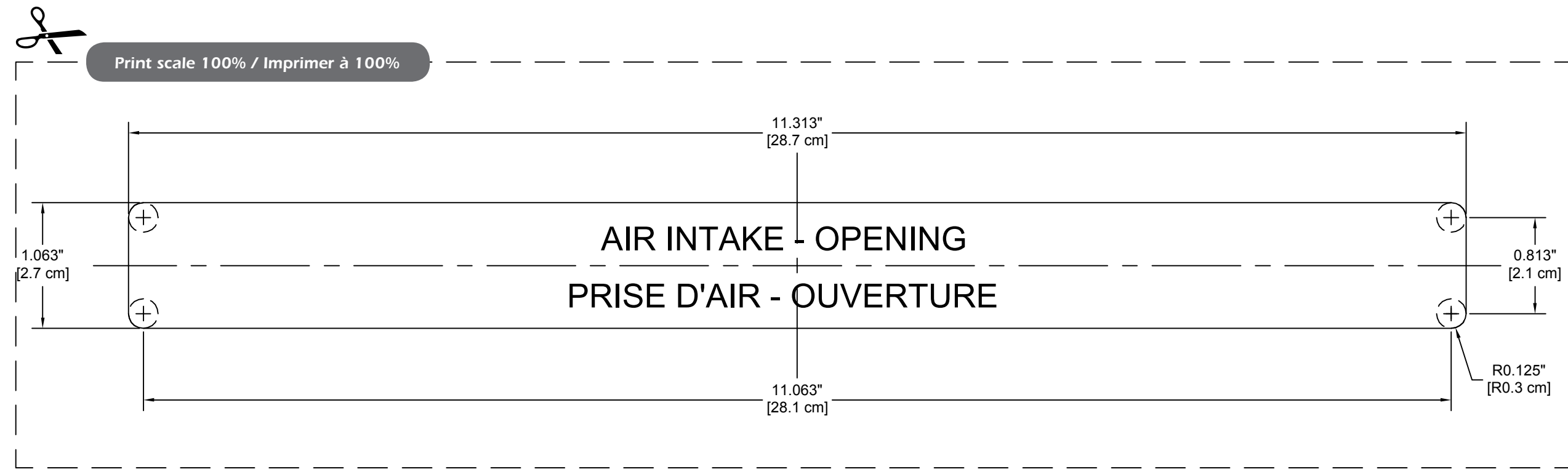
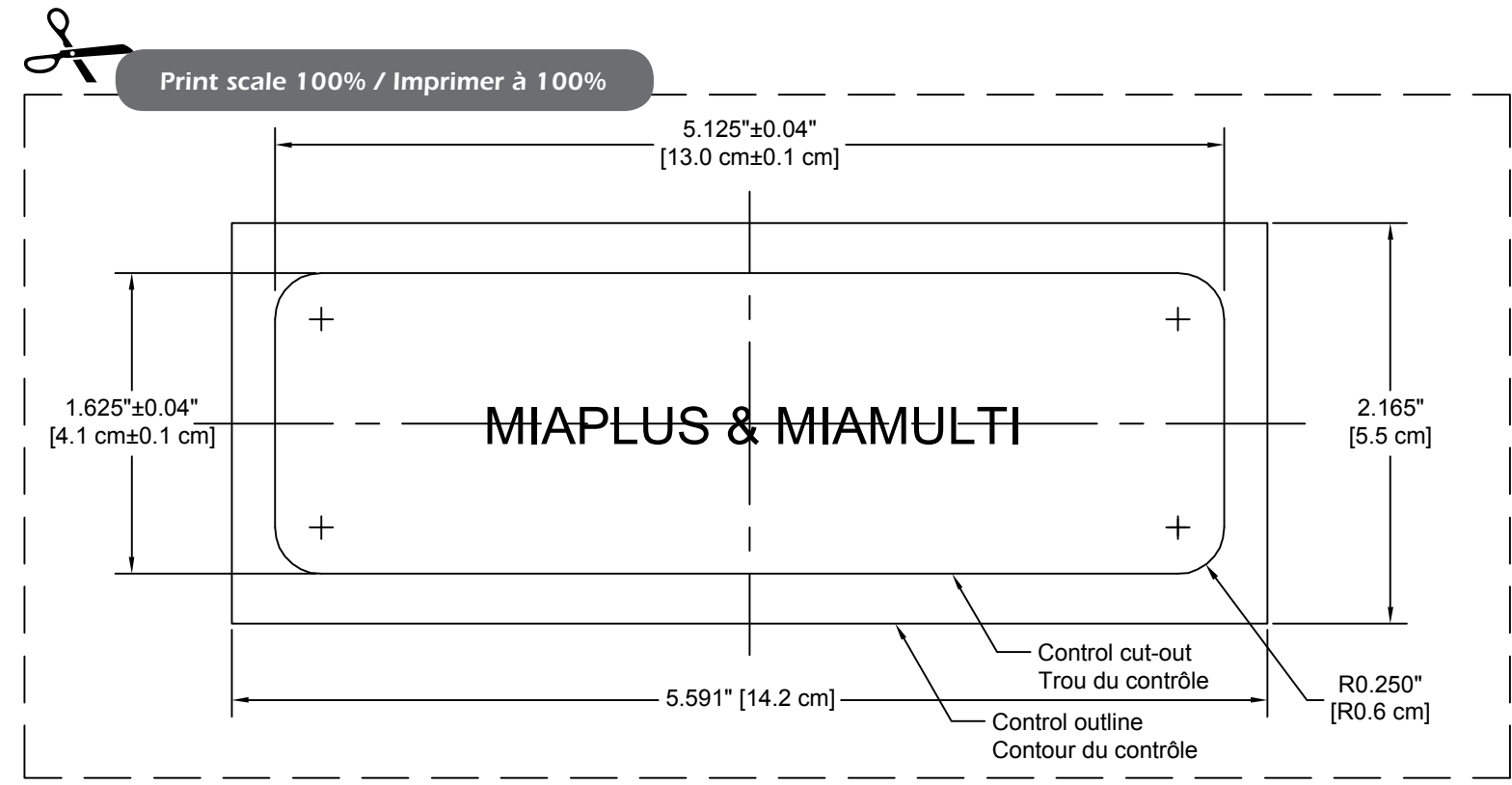
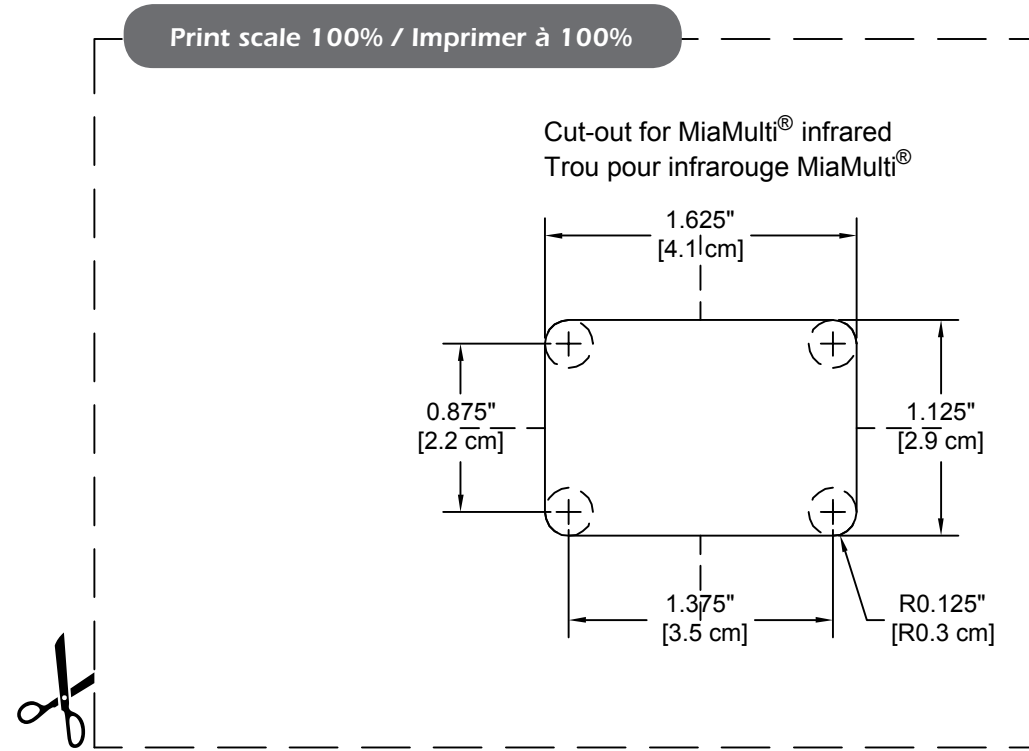
- Refer to supplied instructions for ISLAND TUB DRAIN® installation.



REMOTE MOUNTING OF TURBINE WITHOUT ACCESS UNDER BATH

FOR THE NEXT STEPS, SEE SECTION : REMOTE MOUNTING OF TURBINE WITH ACCESS UNDER THE BATH

5	ELECTRONIC CONTROL INSTALLATION – MIAPLUS® & MIAMULTI® (6838 & OVAL 7236)	15
5	ELECTRONIC CONTROL INSTALLATION – DOT (THERAPIES)	15
6	REMOTE MOUNTING OF TURBINE	16
7	REMOTE MOUNTING OF TURBINE – AIR PIPE (THERMOMASSEUR®).....	17
7	REMOTE MOUNTING OF TURBINE – ELECTRICAL CONNECTIONS (THERMOMASSEUR®)	17
8	REMOTE MOUNTING OF TURBINE – ELECTRICAL CONNECTIONS OF OPTIONAL THERAPIES.....	18
8	REMOTE MOUNTING OF OPTIONAL THERAPIES (TUB ONLY) – ELECTRICAL CONNECTIONS.....	19
	ELECTRICAL DIAGRAM – THERMOMASSEUR	20
	ELECTRICAL DIAGRAM – THERAPIES	21



CUTTING TEMPLATES / GABARITS DE PERÇAGE