

# CITTI 6032 TRIO WITHOUT INSERT

60" x 32" x 20"

Citti® is derived from sanskrit for "free spirit." At the same time, the name evokes today's great cities: these are the perfect baths for urban living.



Std 1 1/2" deck with optional Multifit skirt

## PRODUCT NO.

| MODEL                                    | TMU          | TUB          |
|--|--------------|--------------|
| Std 1 1/2" deck - Left                   | BCTDRA0LT-XX | BCTDRA0LN-XX |
| Std 1 1/2" deck - Right                  | BCTDRA0RT-XX | BCTDRA0RN-XX |
| Slim deck - Left                         | BCTDRA1LT-XX | BCTDRA1LN-XX |
| Slim deck - Right                        | BCTDRA1RT-XX | BCTDRA1RN-XX |
| Front Overflow - Std 1 1/2" deck - Left  | BC2DRA0LT-XX | BC2DRA0LN-XX |
| Front Overflow - Std 1 1/2" deck - Right | BC2DRA0RT-XX | BC2DRA0RN-XX |
| Front Overflow - Slim deck Left          | BC2DRA1LT-XX | BC2DRA1LN-XX |
| Front Overflow - Slim deck Right         | BC2DRA1RT-XX | BC2DRA1RN-XX |

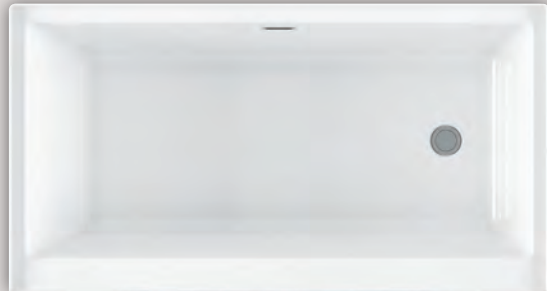
| THERMOMASSEUR (TMU)<br>Hydro-thermo massage • Air jet system | \$4,665  |
|--|----------|
| Jets   | 44       |
| 1 heated backrest  | Included |
| Mia® Control   | Included |
| BU-Touch Control Application BUTOUCH                         | \$430    |
| Geysair®   | Included |
| AromaCloud® BAROMAC  | \$490    |
| AromaFlow*** BAROMAF <b>NEW</b>                              | \$950    |
| Illuzio Chromatherapy BCHR06                                 | \$925    |

| TUB<br>Soaker                   | \$2,315               |
|---------------------------------|-----------------------|
| AromaCloud® BAROMAC             | \$490                 |
| AromaFlow*** BAROMAF <b>NEW</b> | \$950                 |
| Illuzio Chromatherapy BCHR06    | \$925                 |
| WarmTouchShell® BWT5            | \$1,125               |
| DOT control                     | Included with therapy |

| FEATURES   |                  |              |               |
|--|------------------|--------------|---------------|
| Installation type  | Alcove (3 walls) |              |               |
| No. of bathers   |                  | US gallons   | 53            |
| Integrated tile flange (specify right or left)   | Included         | Imp. gallons | 44            |
| INTEGRATED WASTE & OVERFLOW BOVERINI-XX  |                  |              |               |
| White 01, Biscuit 02, Chrome 07, Brushed Nickel 09, Polished Nickel 10, Matte White with UltraVelour finish 32 |                  |              | Inst. & Incl. |
| STANDARD COLOR   |                  |              |               |
|  |                  | Included     |               |
| White 01   | Biscuit 02       |              |               |

| OPTIONS (UPCHARGE APPLICABLE)                               |       |
|---|-------|
| FINISH  |       |
| UltraVelour Matte Finish (white only) BVEL1                 | \$650 |
| CONTROL (TMU only)  |       |
| MiaPlus*** BMAP2-XX   | \$285 |
| UNIVERSAL ARMRESTS BGBGU-XX                                 |       |
| White 01  | \$750 |
| SKIRT MULTIFIT (standard 1 1/2" deck only) BSMUL-XX         |       |
| White 01, Biscuit 02  | \$600 |
| INTEGRATED WASTE & OVERFLOW BOVERINI-XX                     |       |
| Matte Black 19, Satin Brass 18                              | \$120 |
| WASTE & OVERFLOW 16" x 35"*** BOVER16-XX                    |       |
| Chrome 07   | \$260 |
| White 01, Biscuit 02  | \$290 |
| Brushed Nickel 09, Polished Nickel 10, Oil-rubbed Bronze 11 | \$400 |
| IF REQUIRED BY CONSTRUCTION CODE                            |       |
| Brass waste & overflow kit BDRCOB                           | \$240 |
| Brass waste kit BDRCB                                       | \$60  |
| 16" x 35" Cable driven brass waste & overflow kit* BOVERBR  | \$240 |

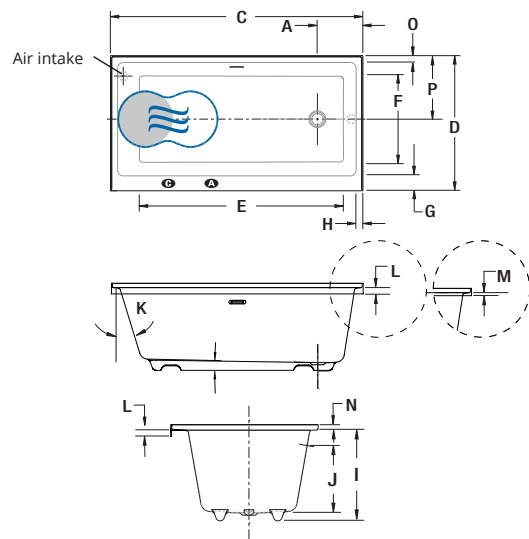
Turbine must be remotely installed. With the AromaCloud® and/or Control on the deck, a complete shower door cannot be installed. Faucets must be wall-mounted. Don't forget to specify the finish of the integrated waste & overflow. \* Only for models with front overflow. \*\* The MiaPlus® Control is included when purchasing Chromatherapy on a TMU. \*\*\* When ordering an AromaFlow, an Integrated waste & overflow is mandatory (Included). Specify the finish of the waste.



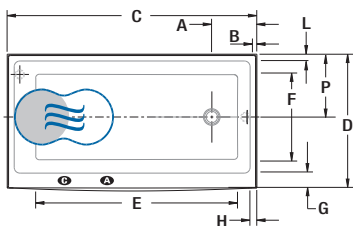
**CITTI 6032 TRIO** WITHOUT INSERT



**INSTALLATION**

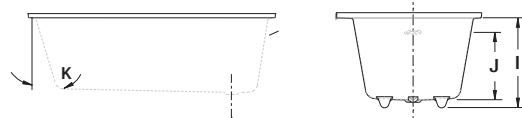


**Citti 6032 TRIO Front Overflow without insert**



| LETTER | DESCRIPTION  | MEASURE              |
|--------|--|----------------------|
| A      | Outside edge to center drain (integrated waste & overflow)                             | 10 7/8"              |
| B      | Outside edge to center of drain hole<br>Waste & overflow 16" x 35" Front Overflow only | 1 3/8"               |
| C      | Total length   | 60"                  |
| D      | Total width  | 32"                  |
| E      | Bathing well length  | 49 1/4"              |
| F      | Bathing well width   | 21 1/8"              |
| G      | Deck width (skirt side)  | 3 3/4"               |
| H      | Deck width at drain end  | 2 1/8"               |
| I      | Height from bottom of bath to top deck   | 20"                  |
| J      | Maximum water level<br>Maximum water level with AromaFlow                              | 14 1/2"<br>13 13/16" |
| K      | Slope of backrest  | 17°                  |
| L      | Height from bottom of deck to top standard deck  | 1 1/2"               |
| M      | Height from bottom of deck to top slim deck  | 1/2"                 |
| N      | Tile flange height   | 1"                   |
| O      | Deck width overflow side   | 2 1/8"               |
| P      | Outside edge to center drain   | 15 1/8"              |

- A** AromaCloud® position
- B** Control position when factory-installed (Mia® or DOT)
- Indicates heated backrest (TMU)
- ☁ Indicates WarmTouchShell® position (TUB)



**TECHNICAL SPECIFICATIONS**

|                                  |  |
|----------------------------------|--|
| <b>Hot water supply required</b> | The hot water supply should be 70% or more of the bath's total water capacity.   |
| <b>Turbine</b>                   | Access to the pump must be at least 18" x 22". <b>Standard connection is 20 A, 120 V, 60 Hz</b> , dedicated line with a Ground-Fault Circuit Interrupter (GFCI). <b>For any additional option, a second line is needed 15 A, 120 V, 60 Hz</b> , dedicated line with a GFCI. Air vent necessary: 2" x 4" minimum.   |
| <b>Others</b>                    | <ul style="list-style-type: none"> <li>- The Geysair® is located on the same side as the heated backrest. It must <b>NOT be relocated</b>. It must be <b>connected to the hot water supply</b> and be accessible (provide access).</li> <li>- The turbine must be <b>remotely installed</b>.</li> <li>- Citti bathtubs include an integrated tile flange, specify right or left.</li> <li>- The water level will be lower when an AromaFlow is installed.</li> </ul> |

|                                |          |
|--------------------------------|----------|
| <b>Approx. shipping weight</b> | 125 lb   |
| <b>Turbine power</b>           | 550 W    |
| <b>Air heater</b>              | 600 W    |
| <b>WARRANTY</b>                |          |
| Controls-LED-Geysair*          | 5 years  |
| Bath & turbine*                | 20 years |

\* Some restrictions apply | [www.bainultra.com/warranty](http://www.bainultra.com/warranty)

Our products must be installed by certified professionals only and according to our Owner's Manual as well as federal, provincial/state and local building codes and regulations ([www.bainultra.com/dealers/dealer-documentation-and-catalog](http://www.bainultra.com/dealers/dealer-documentation-and-catalog)).

The specifications shown indicate the outer edge dimension and the inside bathing capacity dimension measured at air jets' height. The manufacturer accepts a 1/4" [0.64 cm] variance. There are variations on each product and specifications are subject to change as we improve upon our product as required. The dimensions needed for site preparation and structure building will differ. BainUltra® assumes no responsibility for preparatory work done prior to the product being on site.